

1 SITE PLAN
1:250



5'-0" HIGH METAL FENCE WITH GATES AROUND REAR YARD PARKING AREA

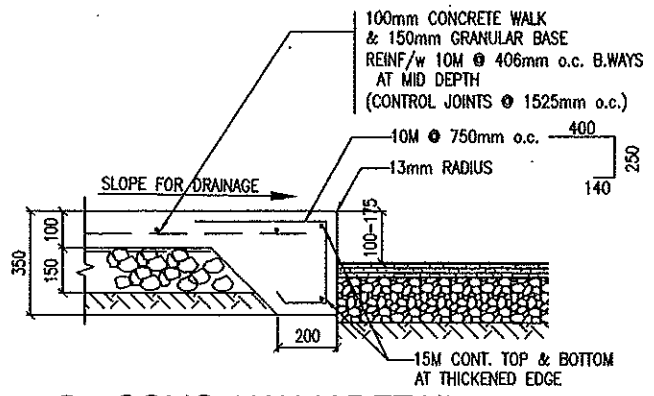
LANDSCAPING LEGEND
GA - GREEN ASH (5'-0" HIGH)
SPR - SPRUCE (5'-0" HIGH)

GENERAL SITE CONSTRUCTION NOTES :

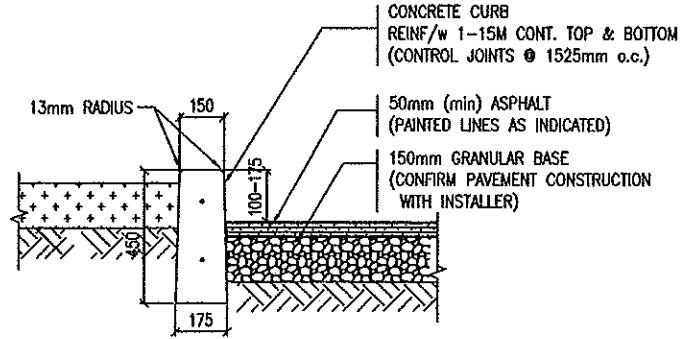
1. CONFIRM ALL EXISTING SITE CONDITIONS AND LOCATIONS OF UNDERGROUND (OR OVERHEAD) UTILITY SERVICE LINES.
2. OWNER'S LOT LOCATION IS TO BE CONFIRMED BETWEEN OWNER & SURVEYOR PRIOR TO THE START OF CONSTRUCTION.
3. COORDINATE AND CONFIRM BUILDING & ALL PERIMETER GRADE ELEVATIONS WITH ADJACENT LOT OWNERS.
4. REMOVE & STOCKPILE ANY EXISTING TOPSOIL TO BE USED ON LANDSCAPED AREAS.
5. PROTECT ADJACENT BUILDINGS, PROPERTIES, STREETS & SIDEWALKS, OR REPAIR ANY DAMAGES.

LEGAL DESCRIPTION :
LOT - 18
BLOCK - 272
PLAN NO. - G929
SASKATOON, SASKATCHEWAN

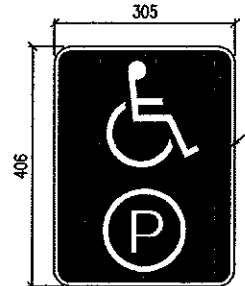
AREA CALCULATIONS -
MAIN FLOOR AREA - 2,300 sq.ft. (213.7 sq.m.)
2nd FLOOR AREA - 1,610 sq.ft. (149.6 sq.m.)
TOTAL AREA - 3,910 sq.ft. (363.3 sq.m.)
SITE AREA - 9,901 sq.ft. (919.832 sq.m.)
SITE COVERAGE - 23.23 %



2 CONC. WALK DETAIL
1:25



3 CONC. CURB DETAIL
1:25



4 H.C. PARKING SIGN
1:25

DRAWING LIST

ARCHITECTURAL DRAWINGS:

- A-1 SITE PLAN & SITE DETAILS
- A-2 MAIN FLOOR PLAN
- A-3 SECOND FLOOR PLAN
- A-4 BASEMENT PLAN
- A-5 DOOR SCHEDULE & CODE ANALYSIS
- A-6 ELEVATIONS
- A-7 ELEVATIONS
- A-8 BUILDING SECTION
- A-9 BUILDING SECTION
- A-10 SECTIONS
- A-11 MAIN FLOOR ELECTRICAL PLAN
- A-12 SECOND FLOOR ELECTRICAL PLAN
- A-13 BASEMENT ELECTRICAL PLAN

STANDARD ENGINEERING LTD.

ARIF ALI, P.Eng.
127 RAO CRESCENT
SASKATOON, SK. S7K6V7
(306) 370-5986

| | | |
|---|-------------------|-----------|
| 0 | ISSUED FOR REVIEW | NOV. 9/16 |
|---|-------------------|-----------|

CONSULTANT
T.D. KINASH CONSULTING LTD.

(306) 664-4582
1616 - 9th AVENUE, SASKATOON

ALL MEASUREMENTS MUST BE CHECKED ON THE WORK BY THE CONTRACTOR. DO NOT SCALE DRAWINGS.

PROJECT NAME
HUSSAINI ASSOCIATION of SASKATOON MOSQUE
by
Global Village Construction

702 WINDSOR STREET
SASKATOON, SASK.

DRAWING NAME
SITE PLAN & SITE DETAILS

DRAWN : TDK
CHECKED: A.Arif
DATE : NOV. 2016
SCALE : 1:250, 1:25

DRAWING NO.

A-1

STANDARD ENGINEERING LTD.

ARIF ALI, P.Eng.

127 RAO CRESCENT
SASKATOON, SK. S7K6V7
(306) 370-5986

NOTES FOR TALL WALLS

- FULL HT. 2" x 8" LSL STUDS @ 16" o.c. (TO 18'-0" HIGH - 1.5 STOREY STAIR WALLS)
- FULL HT. 2" x 8" LSL STUDS @ 12" o.c. (TO 22'-0" HIGH - 2 STOREY WALLS)
- INSTALL DOUBLE 2"x8" LSL STUDS BOTH SIDES OF ALL WINDOW AND DOOR OPENINGS.

FRAMING INSTALLATION IS TO COMPLY WITH ALL CITY OF SASKATOON "FULL HEIGHT STUD TALL WALL FRAMING REQUIREMENTS" DATED MARCH 26, 2012.

BEAM SCHEDULE

| | |
|------|----------------------------------------------|
| B-1: | 3 PLY- 1 1/2"x1 1/8" LVL BEAM (2950 Fb 2.0E) |
| B-2: | 4 PLY- 1 1/2"x1 1/8" LVL BEAM (2950 Fb 2.0E) |
| B-3: | 3 PLY- 1 1/2"x1 1/4" LVL BEAM (2950 Fb 2.0E) |
| B-4: | 4 PLY- 1 1/2"x1 1/4" LVL BEAM (2950 Fb 2.0E) |

LINTEL SCHEDULE

| | |
|------|----------------------------------------|
| L-1: | 2 PLY- 2"x10" SPF #2 (LESS THAN 4'-0") |
| L-2: | 3 PLY- 2"x10" SPF #2 (LESS THAN 7'-0") |

COLUMN SCHEDULE

| COLUMN NO. | SERVICE LOAD | FACTORED LOAD | COLUMN SIZE |
|------------|---------------------|---------------------|-------------------------|
| C-1 | 11,200 lb 50 kN | 16,200 lb 72 kN | 102 x102 x6.4 H.S.S. |
| C-2 | 11,400 lb 51 kN | 16,400 lb 73 kN | 102 x102 x6.4 H.S.S. |
| C-3 | 16,800 lb 75 kN | 24,250 lb 110 kN | 102 x102 x6.4 H.S.S. |
| C-4 | 26,200 lb 116 kN | 37,750 lb 168 kN | 102 x102 x6.4 H.S.S. |
| C-5 | 23,900 lb 106 kN | 34,500 lb 153 kN | 102 x102 x6.4 H.S.S. |
| C-6 | 26,200 lb 116 kN | 37,750 lb 268 kN | 102 x102 x6.4 H.S.S. |

AREA CALCULATIONS -

| | |
|-----------------|------------------------------|
| MAIN FLOOR AREA | - 2,300 sq.ft. (213.7 sq.m.) |
| 2nd FLOOR AREA | - 1,610 sq.ft. (149.6 sq.m.) |
| TOTAL AREA | - 3,910 sq.ft. (363.3 sq.m.) |

SITE AREA - 9,901 sq.ft. (919.832 sq.m.)
SITE COVERAGE - 23.23 %

| | | |
|-----|-------------------|-----------|
| NO. | ISSUED FOR REVIEW | NOV. 9/16 |
|-----|-------------------|-----------|

| NO. | DESCRIPTION | DATE |
|-----|-------------|------|
| | | |

CONSULTANT
T.D. KINASH CONSULTING LTD.

(306) 664-4562
1616 - 9th AVENUE, SASKATOON

ALL MEASUREMENTS MUST BE CHECKED ON THE WORK BY THE CONTRACTOR. DO NOT SCALE DRAWINGS.

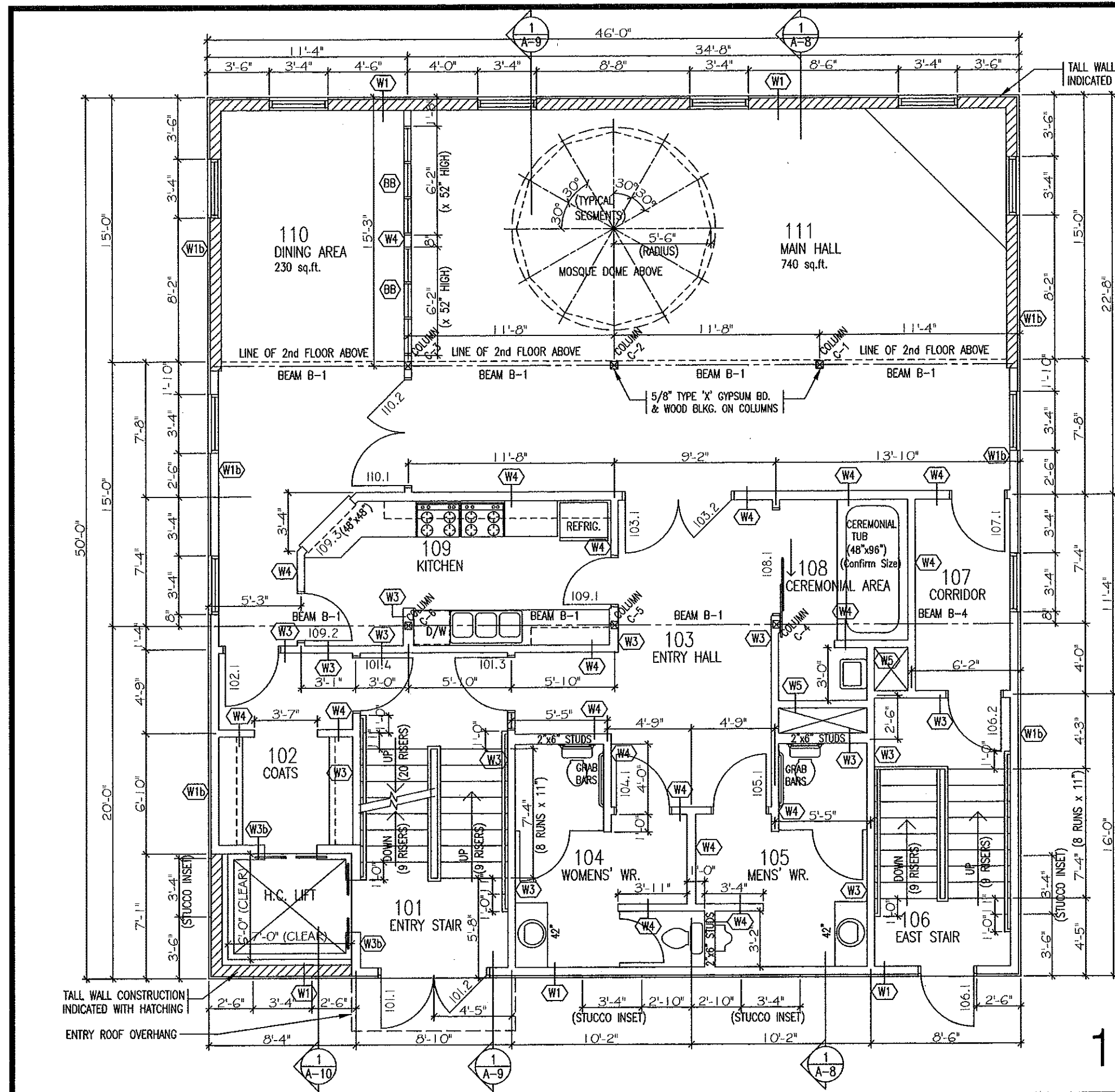
PROJECT NAME
HUSSAINI ASSOCIATION of SASKATOON MOSQUE
by
Global Village Construction

702 WINDSOR STREET
SASKATOON, SASK.

DRAWING NAME
MAIN FLOOR PLAN

DRAWN : TDK
CHECKED: A.Arif
DATE : NOV. 2016
SCALE : 3/16" = 1'-0"
DRAWING NO.

A-2



1 MAIN FLOOR PLAN
3/16" = 1'-0"

STANDARD ENGINEERING LTD.

ARIF ALI, P..Eng.

127 RAO CRESCENT
SASKATOON, SK. S7K6V7
(306) 370-5986

0 ISSUED FOR REVIEW NOV. 9/16

NO. DESCRIPTION DATE

REVISIONS

CONSULTANT

T.D. KINASH
CONSULTING LTD.

(306) 664-4562
1616 - 9th AVENUE, SASKATOON

ALL MEASUREMENTS MUST BE CHECKED ON THE WORK BY THE CONTRACTOR. DO NOT SCALE DRAWINGS.

PROJECT NAME
HUSSAINI ASSOCIATION OF SASKATOON MOSQUE
by
Global Village Construction

702 WINDSOR STREET
SASKATOON, SASK.

DRAWING NAME
SECOND FLOOR PLAN

DRAWN : TDK

CHECKED: A.Arif

DATE : NOV. 2016

SCALE : 3/16" = 1'-0"

DRAWING NO.

A-3

NOTES FOR TALL WALLS

- FULL HT. 2" x 8" LSL STUDS @ 16"o.c. (TO 18'-0" HIGH - 1.5 STOREY STAIR WALLS)
- FULL HT. 2" x 8" LSL STUDS @ 12"o.c. (TO 22'-0" HIGH - 2 STOREY WALLS)
- INSTALL DOUBLE 2"x8" LSL STUDS BOTH SIDES OF ALL WINDOW AND DOOR OPENINGS.

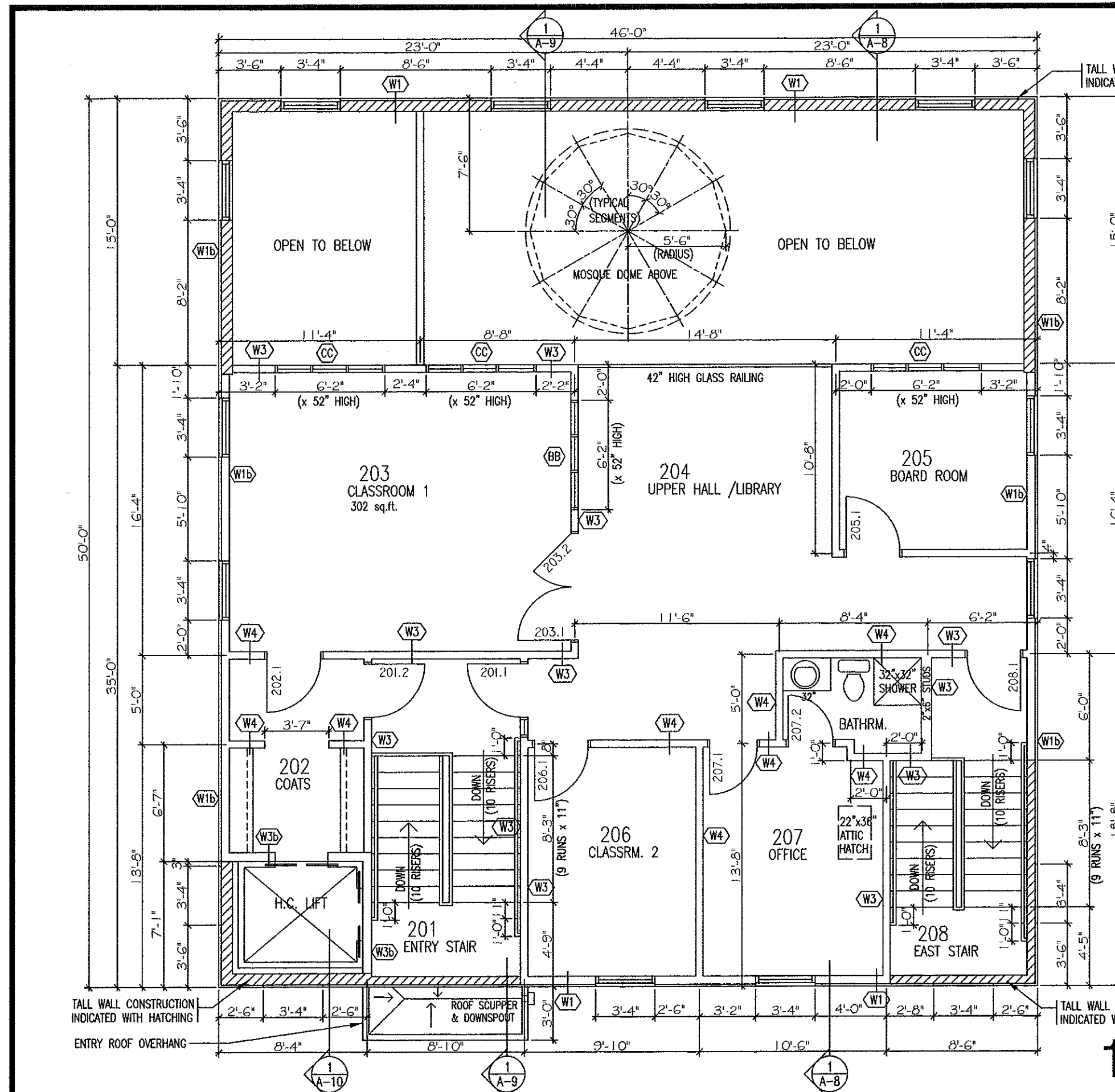
FRAMING INSTALLATION IS TO COMPLY WITH ALL CITY OF SASKATOON "FULL HEIGHT STUD TALL WALL FRAMING REQUIREMENTS" DATED MARCH 26, 2012.

| COLUMN NO. | SERVICE LOAD | FACTORED LOAD | COLUMN SIZE |
|------------|---------------------|---------------------|-------------------------|
| C-1 | 11,200 lb 50 kN | 16,200 lb 72 kN | 102 x102 x6.4 H.S.S. |
| C-2 | 11,400 lb 51 kN | 16,400 lb 73 kN | 102 x102 x6.4 H.S.S. |
| C-3 | 16,800 lb 75 kN | 24,250 lb 110 kN | 102 x102 x6.4 H.S.S. |
| C-4 | 26,200 lb 116 kN | 37,750 lb 168 kN | 102 x102 x6.4 H.S.S. |
| C-5 | 23,900 lb 106 kN | 34,500 lb 153 kN | 102 x102 x6.4 H.S.S. |
| C-6 | 26,200 lb 116 kN | 37,750 lb 268 kN | 102 x102 x6.4 H.S.S. |

AREA CALCULATIONS -

MAIN FLOOR AREA - 2,300 sq.ft. (213.7 sq.m.)
2nd FLOOR AREA - 1,610 sq.ft. (149.6 sq.m.)
TOTAL AREA - 3,910 sq.ft. (363.3 sq.m.)

SITE AREA - 9,901 sq.ft. (919.832 sq.m.)
SITE COVERAGE - 23.23 %



1 UPPER FLOOR PLAN
3/16" = 1'-0"

STANDARD ENGINEERING LTD.

ARIF ALI, P..Eng.

127 RAO CRESCENT
SASKATOON, SK. S7K6V7
(306) 370-5986

0 ISSUED FOR REVIEW NOV. 9/16

NO. DESCRIPTION DATE

REVISIONS

CONSULTANT

T.D. KINASH
CONSULTING LTD.

(306) 664-4562
1616 - 9th AVENUE, SASKATOON

ALL MEASUREMENTS MUST BE CHECKED ON THE WORK BY THE CONTRACTOR. DO NOT SCALE DRAWINGS.

PROJECT NAME

HUSSAINI ASSOCIATION
OF SASKATOON
MOSQUE
by
Global Village Construction

702 WINDSOR STREET
SASKATOON, SASK.

DRAWING NAME

BASEMENT PLAN

DRAWN : TDK

CHECKED: A.Arif

DATE : NOV. 2016

SCALE : 3/16" = 1'-0"

DRAWING NO.

A-4

BEAM SCHEDULE

- B-1: 3 PLY- 1 1/2"x11 1/8" LVL BEAM (2950 Fb 2.0E)
- B-2: 4 PLY- 1 1/2"x11 1/8" LVL BEAM (2950 Fb 2.0E)
- B-3: 3 PLY- 1 1/2"x14" LVL BEAM (2950 Fb 2.0E)
- B-4: 4 PLY- 1 1/2"x14" LVL BEAM (2950 Fb 2.0E)

LINTEL SCHEDULE

- L-1: 2 PLY- 2"x10" SPF #2 (LESS THAN 4'-0")
- L-2: 3 PLY- 2"x10" SPF #2 (LESS THAN 7'-0")

TELEPOST SCHEDULE

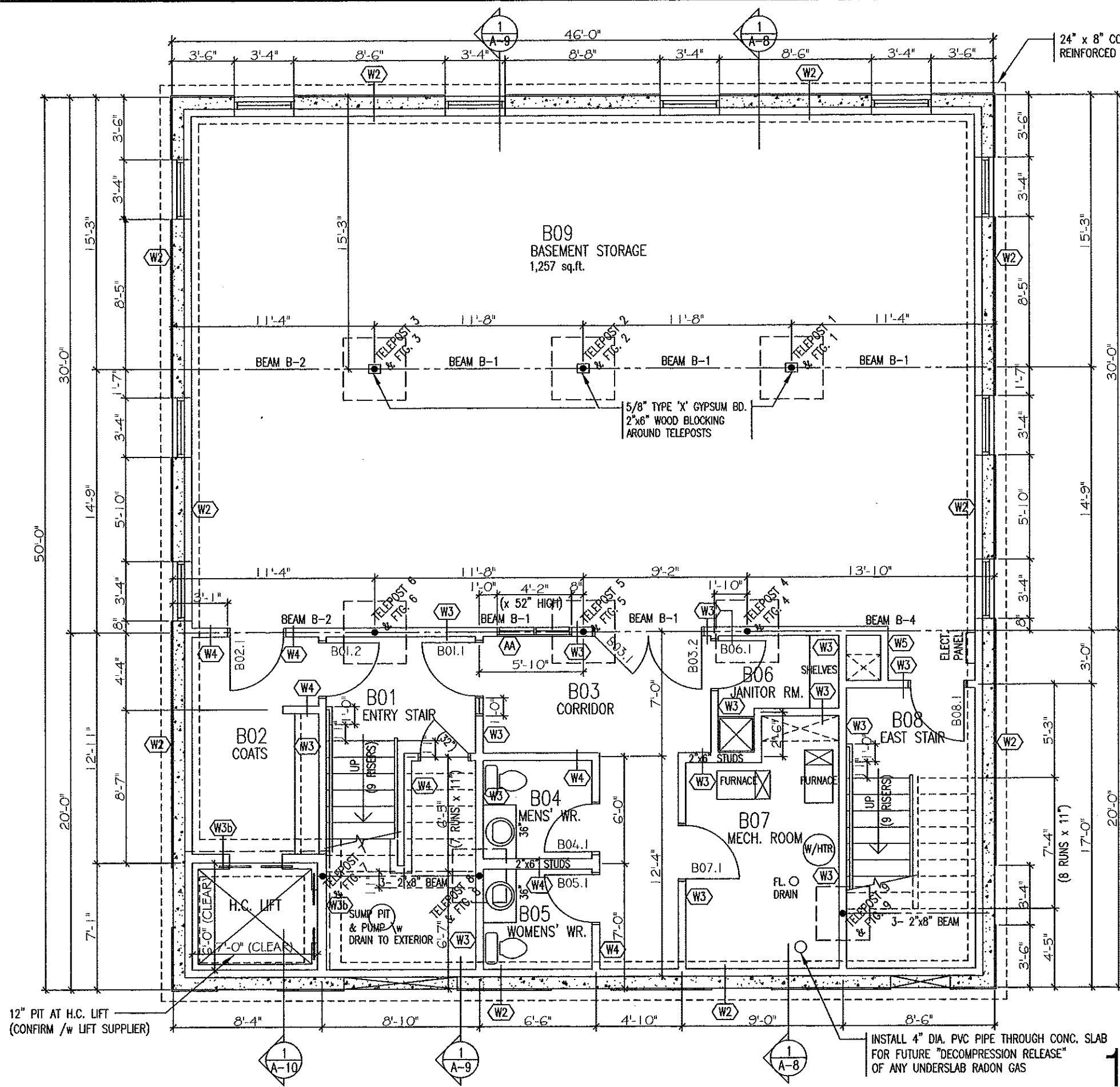
| TELEPOST NO. | SERVICE LOAD | FACTORED LOAD | TELEPOST SIZE |
|--------------|---------------------|---------------------|---------------|
| T-1 | 34,000 lb 100 kN | 50,000 lb 145 kN | |
| T-2 | 34,000 lb 102 kN | 50,000 lb 146 kN | |
| T-3 | 34,000 lb 150 kN | 50,000 lb 220 kN | |
| T-4 | 50,500 lb 235 kN | 75,000 lb 340 kN | |
| T-5 | 50,000 lb 215 kN | 75,000 lb 310 kN | |
| T-6 | 50,000 lb 225 kN | 75,000 lb 315 kN | |
| T-7 | 12,000 lb 52 kN | 17,000 lb 75 kN | |
| T-8 | 22,000 lb 100 kN | 30,000 lb 142 kN | |
| T-9 | 12,000 lb 100 kN | 17,000 lb 142 kN | |

PAD FOOTING SCHEDULE

| FOOTING NO. | FOOTING SIZE | FOOTING REINFORCING |
|-------------|-----------------------------|-----------------------------------------|
| F-1 | 42"x 42"x 10" | 5-10M (@ 10"o.c.) E.WAY TOP & BOTTOM |
| F-2 | 42"x 42"x 10" | 5-10M (@ 10"o.c.) E.WAY TOP & BOTTOM |
| F-3 | 54"x 54"x 10" | 6-10M (@ 10"o.c.) E.WAY TOP & BOTTOM |
| F-4 | 70"x 70"x 14" | 7-10M (@ 10"o.c.) E.WAY TOP & BOTTOM |
| F-5 | 70"x 70"x 14" | 7-10M (@ 10"o.c.) E.WAY BOTTOM |
| F-6 | 70"x 70"x 14" | 7-10M (@ 10"o.c.) E.WAY BOTTOM |
| F-7 | 24"x 8" LOWER STRIP FOOTING | 3-15M (@ 10"o.c.) @ BOTTOM |
| F-8 | 32"x 32"x 8" | 3-10M (@ 10"o.c.) E.WAY BOTTOM |
| F-9 | 32"x 32"x 8" | 3-10M (@ 10"o.c.) E.WAY BOTTOM |

BASEMENT PLAN

3/16" = 1'-0"



24" x 8" CONT. FOOTING REINFORCED WITH 3-15 M

B09
BASEMENT STORAGE
1,257 sq.ft.

5/8" TYPE 'X' GYPSUM BD.
2"x6" WOOD BLOCKING
AROUND TELEPOSTS

INSTALL 4" DIA. PVC PIPE THROUGH CONC. SLAB FOR FUTURE "DECOMPRESSION RELEASE" OF ANY UNDERSLAB RADON GAS

12" PIT AT H.C. LIFT (CONFIRM /w LIFT SUPPLIER)

STANDARD ENGINEERING LTD.

ARIF ALI, P.Eng.

127 RAO CRESCENT
SASKATOON, SK. S7K6V7
(306) 370-5986

| | | |
|---|-------------------|-----------|
| 0 | ISSUED FOR REVIEW | NOV. 9/16 |
|---|-------------------|-----------|

■ NO. ■ DESCRIPTION ■ DATE
■ REVISIONS

■ CONSULTANT
T.D. KINASH
CONSULTING LTD.

(306) 664-4562
1616 - 9th AVENUE, SASKATOON

ALL MEASUREMENTS MUST BE CHECKED ON THE WORK BY THE CONTRACTOR. DO NOT SCALE DRAWINGS.

■ PROJECT NAME
HUSSAINI ASSOCIATION
of SASKATOON
MOSQUE
by
Global Village Construction

702 WINDSOR STREET
SASKATOON, SASK.

■ DRAWING NAME
DOOR SCHEDULE
& CODE ANALYSIS

■ DRAWN : TDK
■ CHECKED: A.Arif
■ DATE : NOV. 2016
■ SCALE : N.A.
■ DRAWING NO.

A-5

DOOR SCHEDULE

| DOOR | | | | | | FRAME | | FIRE RATING | NOTES & HARDWARE |
|---------------|--------------|------|-------|------|--------|-------|--------|-------------|--------------------------------------------------------------------------------------------------------------------------------------------------------------------------------------------------------------------------------------------------------------------------------------------------------|
| No. | SIZE | TYPE | MAT'L | CORE | FINISH | MAT'L | FINISH | | |
| 101.1 / 101.2 | 2 -36" x 84" | 1 | PREF | INS | — | PS | P | | (DOOR SILENCERS ON ALL INTERIOR DOORS) H.C. DOOR OPERATOR WITH PUSH BUTTON, HEAVY DUTY HARDWARE, 3 PR. BALL BEARING HINGES NRP, ENTRANCE PULL / LEVERSET, DEAD BOLT WITH THUMB TURN, WEATHER STRIP, ACCESSIBLE THRESHOLD, DOOR SWEEP, DOOR STOPS, D.A. CLOSER. (4" WIDE WOOD EXT. & INT. WALL TRIM) |
| 101.3 | 36" x 84" | 2 | WD | SC | ST | PS | P | 45 MIN | H.C. DOOR OPERATOR WITH PUSH BUTTON, HEAVY DUTY HARDWARE, 1.5 PR. BALL BEARING HINGES NRP, PASSAGE LEVERSET, D.A. CLOSER, DOOR STOP |
| 101.4 | 36" x 84" | 2 | WD | SC | ST | PS | P | 45 MIN | HEAVY DUTY HARDWARE, 1.5 PR. BALL BEARING HINGES NRP, PASSAGE LEVERSET, D.A. CLOSER, DOOR STOP |
| 102.1 | 36" x 84" | 2 | WD | SC | ST | PS | P | | MEDIUM DUTY HARDWARE, 1.5 PR. HINGES, PASSAGE LEVERSET, DOOR STOP |
| 103.1 / 103.2 | 2 -36" x 84" | 3 | WD | SC | ST | PS | P | | HEAVY DUTY HARDWARE, 3 PR. BALL BEARING HINGES NRP, PASSAGE LEVERSET, DOOR STOPS |
| 104.1 | 36" x 84" | 3 | WD | SC | ST | PS | P | | MEDIUM DUTY HARDWARE, 1.5 PR. HINGES, PUSH /PULL HANDLES, D.A. CLOSER, DOOR STOP |
| 105.1 | 36" x 84" | 3 | WD | SC | ST | PS | P | | MEDIUM DUTY HARDWARE, 1.5 PR. HINGES, PUSH /PULL HANDLES, D.A. CLOSER, DOOR STOP |
| 106.1 | 36" x 84" | 1 | PREF | INS | — | PS | P | | HEAVY DUTY HARDWARE, 1.5 PR. BALL BEARING HINGES NRP, ENTRANCE PULL / LEVERSET, DEAD BOLT WITH THUMB TURN, WEATHER STRIP, ACCESSIBLE THRESHOLD, DOOR SWEEP, DOOR STOPS, D.A. CLOSER. (4" WIDE WOOD EXT. & INT. WALL TRIM) |
| 106.2 | 36" x 84" | 3 | WD | SC | ST | PS | P | 45 MIN | HEAVY DUTY HARDWARE, 1.5 PR. BALL BEARING HINGES NRP, PASSAGE LEVERSET, D.A. CLOSER, DOOR STOP |
| 107.1 | 36" x 84" | 3 | WD | SC | ST | PS | P | | MEDIUM DUTY HARDWARE, 1.5 PR. HINGES, PASSAGE LEVERSET, DOOR STOP |
| 108.1 | 2 -36" x 84" | 3 | WD | SC | ST | WD | P | | SLIDING DOOR TRACK |
| 109.1 | 32" x 84" | 3 | WD | SC | ST | PS | P | | MEDIUM DUTY HARDWARE, 1.5 PR. HINGES, OFFICE LEVERSET, DOOR STOP |
| 109.2 | 32" x 84" | 3 | WD | SC | ST | PS | P | | MEDIUM DUTY HARDWARE, 1.5 PR. HINGES, OFFICE LEVERSET, DOOR STOP |
| 109.3 | 48" x 48" | 5 | MET | — | — | X | — | | ROLLING GRILLE c/w LOCK |
| 110.1 / 110.2 | 2 -36" x 84" | 4 | WD | SC | ST | PS | P | | MEDIUM DUTY HARDWARE, 3 PR. BALL BEARING HINGES NRP, PASSAGE LEVERSET, DOOR STOPS |
| 201.1 | 36" x 84" | 2 | WD | SC | ST | PS | P | 45 MIN | HEAVY DUTY HARDWARE, 1.5 PR. BALL BEARING HINGES NRP, PASSAGE LEVERSET, D.A. CLOSER, DOOR STOP |
| 201.2 | 36" x 84" | 2 | WD | SC | ST | PS | P | 45 MIN | HEAVY DUTY HARDWARE, 1.5 PR. BALL BEARING HINGES NRP, PASSAGE LEVERSET, D.A. CLOSER, DOOR STOP |
| 202.1 | 36" x 84" | 2 | WD | SC | ST | PS | P | | MEDIUM DUTY HARDWARE, 1.5 PR. HINGES, PASSAGE LEVERSET, DOOR STOP |
| 203.1 / 203.2 | 2 -36" x 84" | 4 | WD | SC | ST | PS | P | | MEDIUM DUTY HARDWARE, 3 PR. HINGES, PASSAGE LEVERSET, DOOR STOPS |
| 205.1 | 36" x 84" | 2 | WD | SC | ST | PS | P | | MEDIUM DUTY HARDWARE, 1.5 PR. HINGES, OFFICE LEVERSET, DOOR STOP |
| 206.1 | 36" x 84" | 2 | WD | SC | ST | PS | P | | MEDIUM DUTY HARDWARE, 1.5 PR. HINGES, OFFICE LEVERSET, DOOR STOP |
| 207.1 | 36" x 84" | 2 | WD | SC | ST | PS | P | | MEDIUM DUTY HARDWARE, 1.5 PR. HINGES, OFFICE LEVERSET, DOOR STOP |
| 207.2 | 30" x 84" | 3 | WD | SC | ST | WD | P | | MEDIUM DUTY HARDWARE, 1.5 PR. HINGES, PRIVACY LEVERSET, DOOR STOP |
| 208.1 | 36" x 84" | 3 | WD | SC | ST | PS | P | 45 MIN | HEAVY DUTY HARDWARE, 1.5 PR. BALL BEARING HINGES NRP, PASSAGE LEVERSET, D.A. CLOSER, DOOR STOP |
| B01.1 | 36" x 84" | 2 | WD | SC | ST | PS | P | 45 MIN | HEAVY DUTY HARDWARE, 1.5 PR. BALL BEARING HINGES NRP, PASSAGE LEVERSET, D.A. CLOSER, DOOR STOP |
| B01.2 | 36" x 84" | 2 | WD | SC | ST | PS | P | 45 MIN | HEAVY DUTY HARDWARE, 1.5 PR. BALL BEARING HINGES NRP, PASSAGE LEVERSET, D.A. CLOSER, DOOR STOP |
| B02.1 | 36" x 84" | 2 | WD | SC | ST | PS | P | | MEDIUM DUTY HARDWARE, 1.5 PR. HINGES, STORE ROOM LEVERSET, CLOSER, DOOR STOP |
| B03.1 / B03.2 | 2 -36" x 84" | 2 | WD | SC | ST | PS | P | | HEAVY DUTY HARDWARE, 3 PR. BALL BEARING HINGES NRP, STORE ROOM LEVERSET, DOOR STOPS |
| B04.1 | 32" x 84" | 3 | WD | SC | ST | PS | P | | MEDIUM DUTY HARDWARE, 1.5 PR. HINGES, PRIVACY LEVERSET, DOOR STOP |
| B05.1 | 32" x 84" | 3 | WD | SC | ST | PS | P | | MEDIUM DUTY HARDWARE, 1.5 PR. HINGES, PRIVACY LEVERSET, DOOR STOP |
| B06.1 | 32" x 84" | 3 | WD | SC | ST | PS | P | 20 MIN | MEDIUM DUTY HARDWARE, 1.5 PR. HINGES, STORE ROOM LEVERSET, DOOR STOP |
| B07.1 | 36" x 84" | 3 | WD | SC | ST | PS | P | 45 MIN | MEDIUM DUTY HARDWARE, 1.5 PR. HINGES, STORE ROOM LEVERSET, CLOSER, DOOR STOP |
| B08.1 | 36" x 84" | 3 | WD | SC | ST | PS | P | 45 MIN | HEAVY DUTY HARDWARE, 1.5 PR. BALL BEARING HINGES NRP, PASSAGE LEVERSET, D.A. CLOSER, DOOR STOP |

AL ALUMINUM M METAL SC SOLID CORE
HC HOLLOW CORE P PAINT WD WOOD
HM HOLLOW METAL ST STAIN (CLEAR) PS PRESSED STEEL
INS INSULATED PREF PREFINISHED

CODE ANALYSIS :

CLASSIFICATION - GROUP A2 MAJOR OCCUPANCY (Assembly Occupancy - Building of Worship)

2010 NATIONAL BUILDING CODE

TOTAL BUILDING AREA

MAIN FLOOR 214 sq. m. (2,300 sq.ft.)
SECOND FLOOR 150 sq. m. (1,610 sq.ft.)

GROUP A2 : NBC 3.2.2.25 - 2 STOREYS

UP TO 2 STOREYS & COMBUSTIBLE CONSTRUCTION (NOT SPRINKLERED)
MAXIMUM ALLOWABLE AREA - 1,000 sq.m. IF 2 STOREYS (and FACING 2 STREETS)

FLOOR ASSEMBLY FIRE SEPARATION - 3/4 HR. FIRE RESISTANCE RATING
FLOOR STRUCTURE COLUMNS & BEAMS FIRE RESISTANCE RATING - EQUAL TO FLOOR /ROOF SUPPORTED
ROOF ASSEMBLY - 3/4 HR. FIRE RESISTANCE RATING

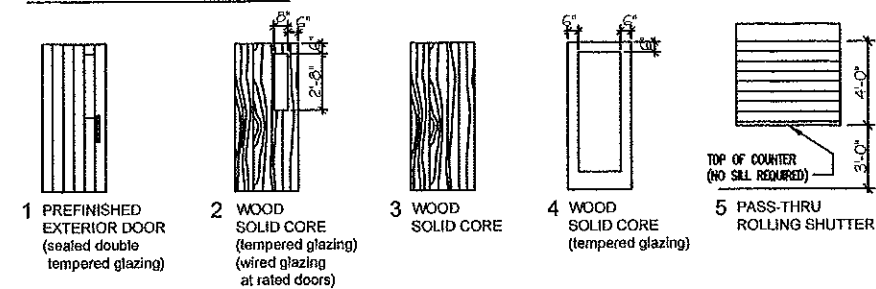
COMMENTS -

-INTERCONNECTED FLOORS ARE PERMITTED IN GROUP A-2 BETWEEN THE MAIN FLOOR AND THE FLOOR ABOVE OR BELOW, AND THE BUILDING AREA IS LESS THAN HALF THE MAXIMUM PERMITTED AREA (NBC TABLE 3.2.8.2.6)

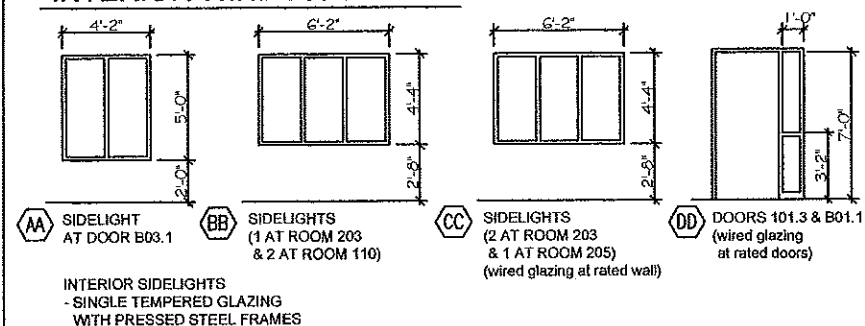
REQUIRED FIRE SEPARATIONS

| SPACES | RATINGS | NBC 2010 CLAUSE |
|------------------------------|---------------------------|-----------------|
| MECHANICAL ROOM | 1 HOUR SEPARATION | 3. 6. 2. 1 (1) |
| JANITOR ROOM (F SPRINKLERED) | 3/4 HOUR RATED SEPARATION | 3. 3. 1. 21 (2) |
| EXIT STAIRS | 3/4 HOUR RATED SEPARATION | 3. 4. 4. 1 |

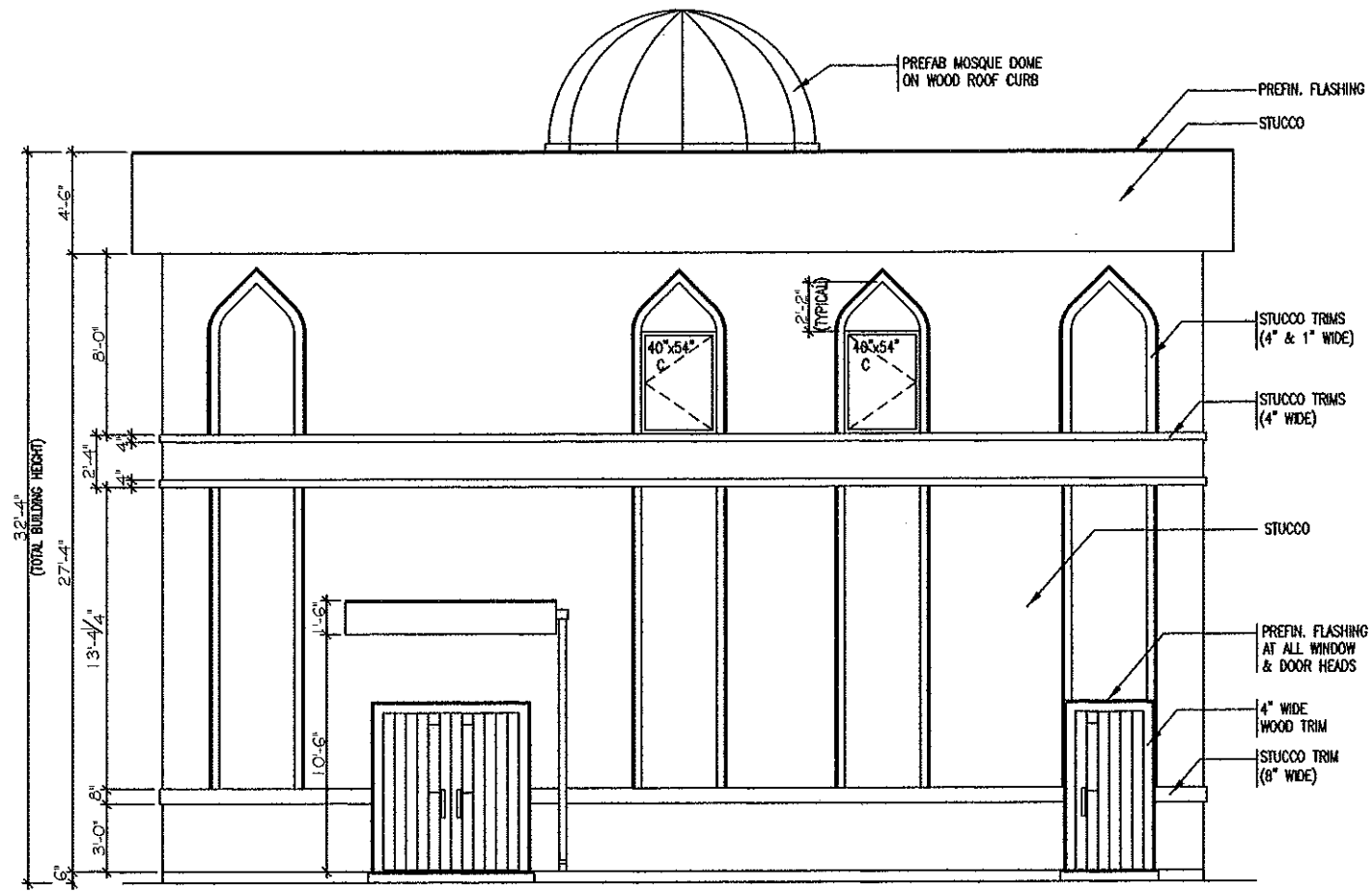
DOOR TYPES



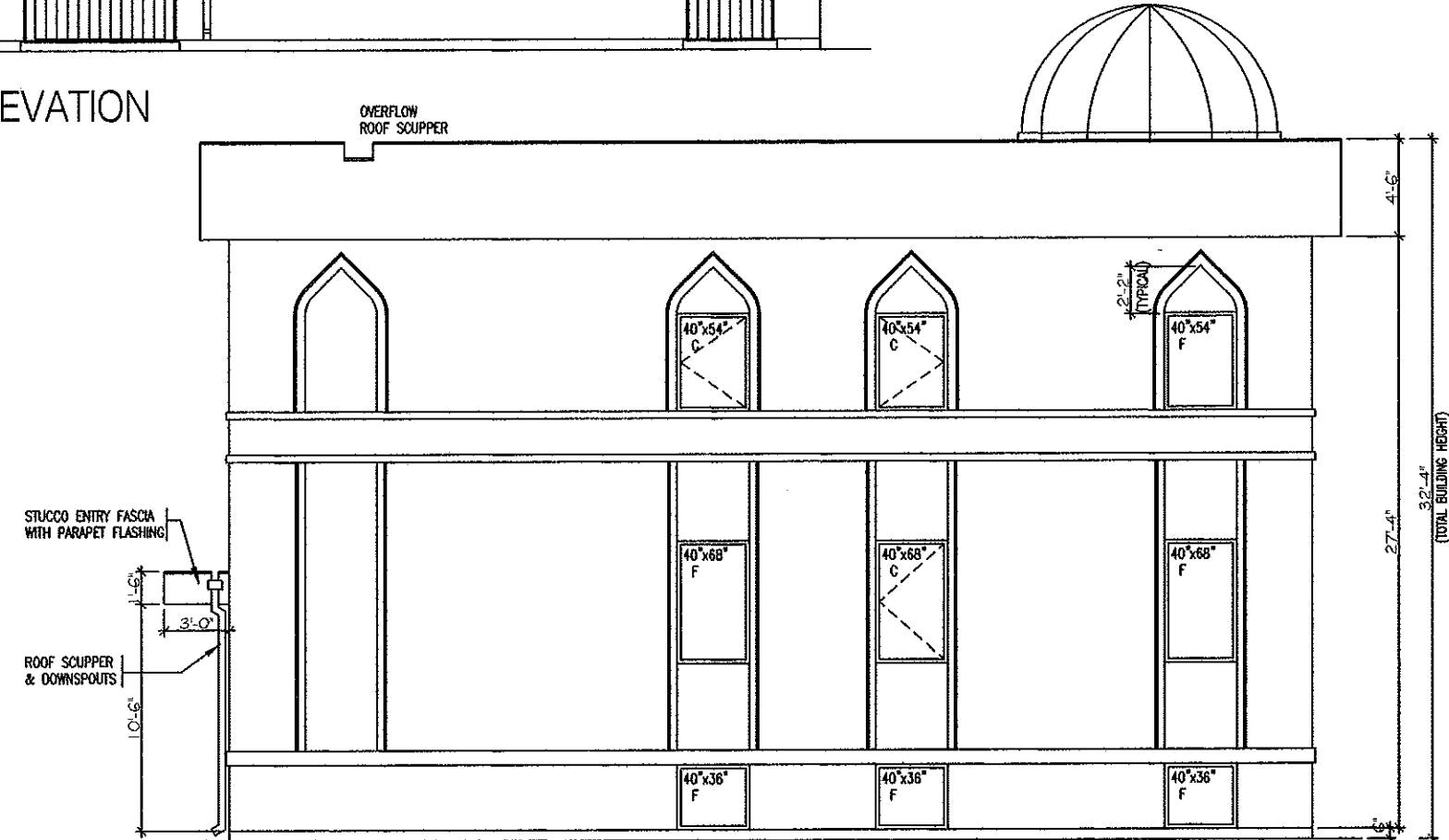
INTERIOR WINDOW TYPES



INTERIOR SIDELIGHTS
- SINGLE TEMPERED GLAZING
WITH PRESSED STEEL FRAMES



1 SOUTH ELEVATION
1/8" = 1'-0"



2 EAST ELEVATION
1/8" = 1'-0"

**STANDARD
ENGINEERING
LTD.**

ARIF ALI, P..Eng.

127 RAO CRESCENT
SASKATOON, SK. S7K6V7
(306) 370-5986

| | | |
|---|-------------------|-----------|
| 0 | ISSUED FOR REVIEW | NOV. 9/16 |
|---|-------------------|-----------|

■ NO. ■ DESCRIPTION ■ DATE
■ REVISIONS

■ CONSULTANT
T.D. KINASH
CONSULTING LTD.

(306) 664-4562
1616 - 9th AVENUE, SASKATOON

ALL MEASUREMENTS MUST BE CHECKED
ON THE WORK BY THE CONTRACTOR.
DO NOT SCALE DRAWINGS.

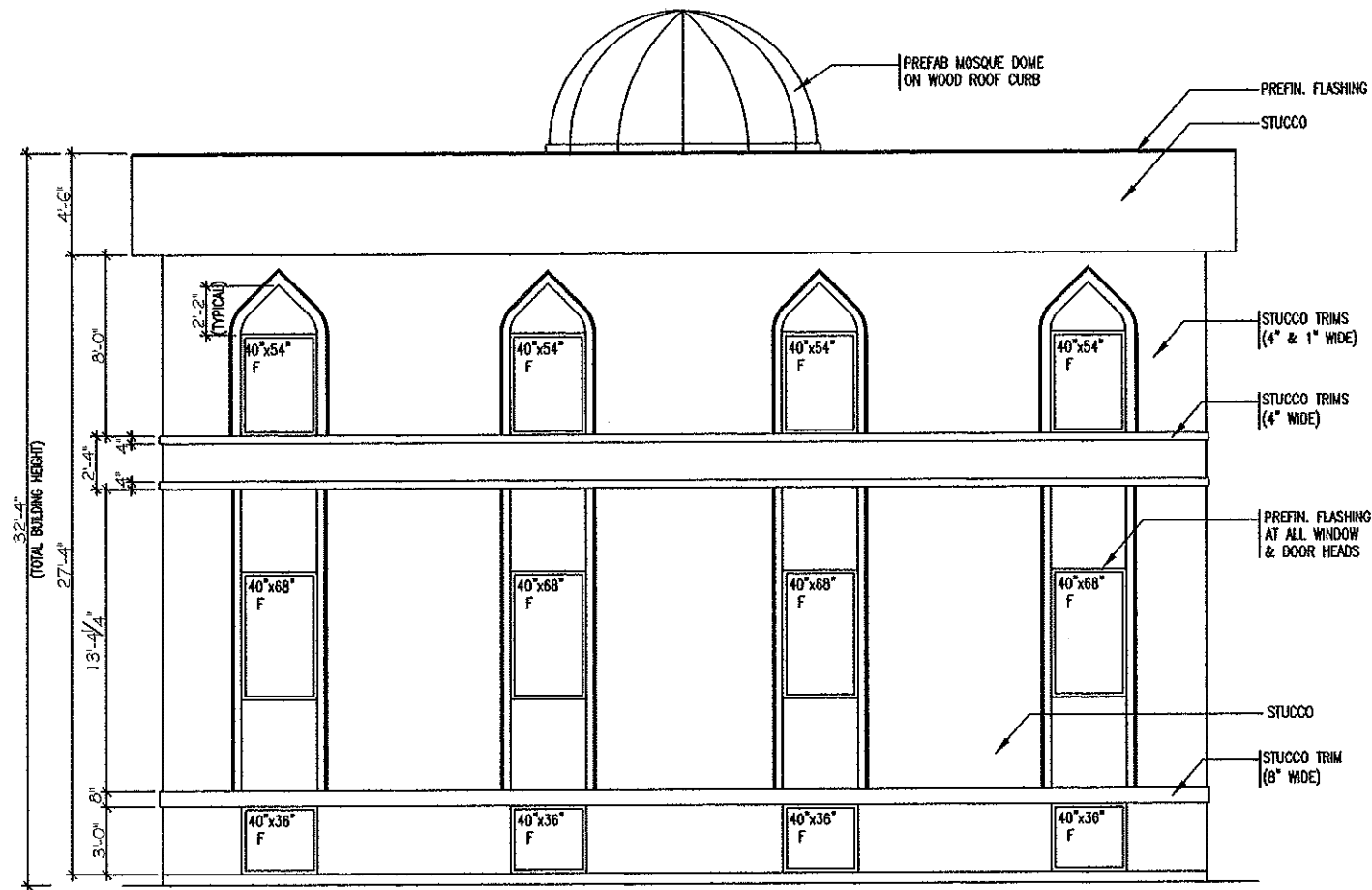
■ PROJECT NAME
HUSSAINI ASSOCIATION
of SASKATOON
MOSQUE
by
Global Village Construction

702 WINDSOR STREET
SASKATOON, SASK.

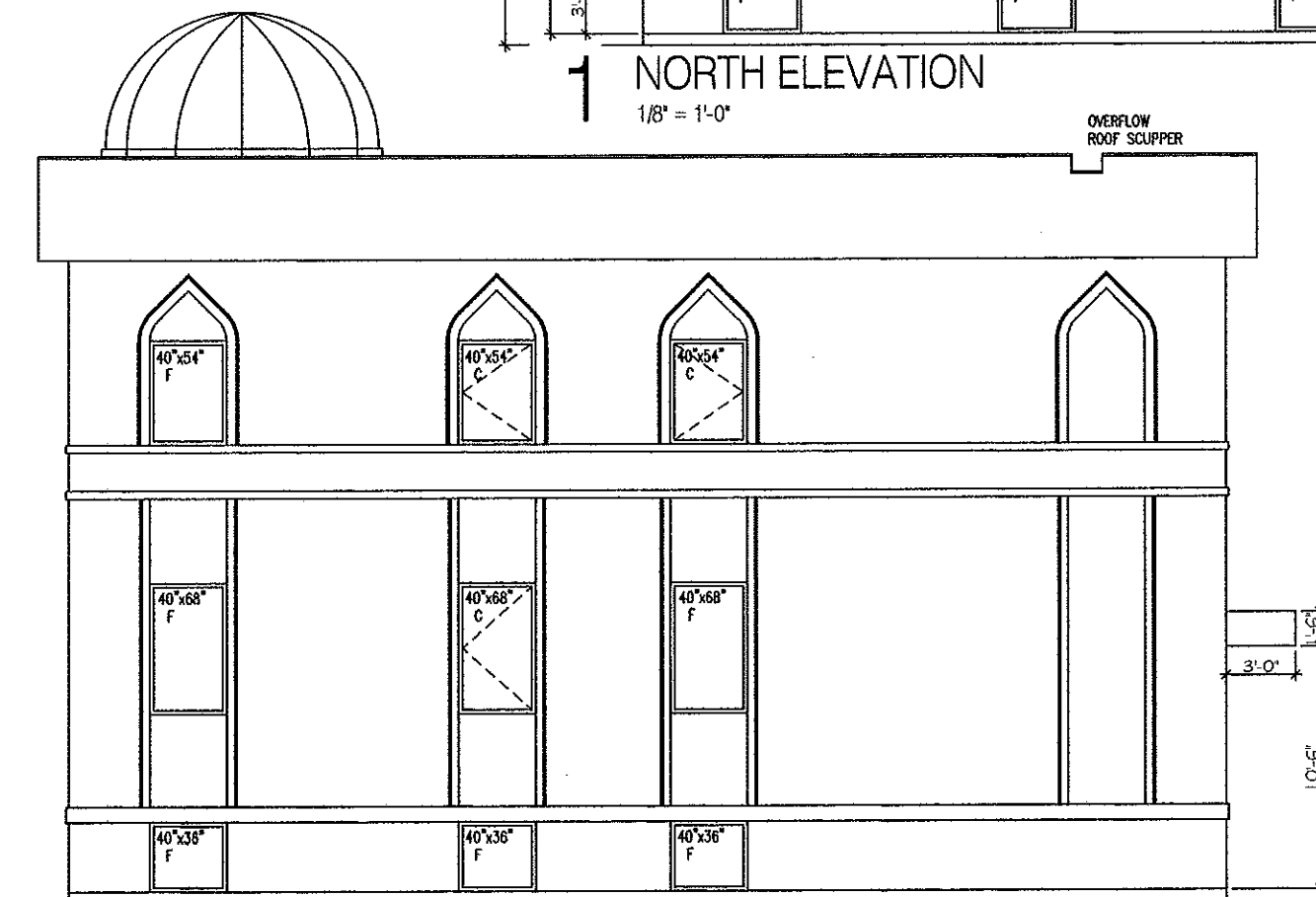
■ DRAWING NAME
ELEVATIONS

■ DRAWN : TDK
■ CHECKED: A.Arif
■ DATE : NOV. 2016
■ SCALE : 1/8" = 1'-0"

■ DRAWING NO. **A-6**



1 NORTH ELEVATION
1/8" = 1'-0"



2 WEST ELEVATION
1/8" = 1'-0"

STANDARD ENGINEERING LTD.

ARIF ALI, P.Eng.

127 RAO CRESCENT
SASKATOON, SK. S7K6V7
(306) 370-5986

| NO. | DESCRIPTION | DATE |
|-----|-------------------|-----------|
| 0 | ISSUED FOR REVIEW | NOV. 9/16 |

■ NO. ■ DESCRIPTION ■ DATE
■ REVISIONS

■ CONSULTANT
T.D. KINASH
CONSULTING LTD.

(306) 664-4562
1616 - 9th AVENUE, SASKATOON

ALL MEASUREMENTS MUST BE CHECKED ON THE WORK BY THE CONTRACTOR. DO NOT SCALE DRAWINGS.

■ PROJECT NAME
HUSSAINI ASSOCIATION
of SASKATOON
MOSQUE
by
Global Village Construction

702 WINDSOR STREET
SASKATOON, SASK.

■ DRAWING NAME
ELEVATIONS

■ DRAWN : TDK
■ CHECKED: A.Arif
■ DATE : NOV. 2016
■ SCALE : 1/8" = 1'-0"
■ DRAWING NO.

A-7

STANDARD ENGINEERING LTD.

ARIF ALI, P..Eng.

127 RAO CRESCENT
SASKATOON, SK. S7K6V7
(306) 370-5986

| | | |
|---|-------------------|-----------|
| 0 | ISSUED FOR REVIEW | NOV. 9/16 |
|---|-------------------|-----------|

| NO. | DESCRIPTION | DATE |
|------------------------------------------------|-------------|------|
| REVISIONS | | |
| CONSULTANT | | |
| T.D. KINASH CONSULTING LTD. | | |
| (306) 664-4562 1616 - 9th AVENUE, SASKATOON | | |

ALL MEASUREMENTS MUST BE CHECKED ON THE WORK BY THE CONTRACTOR. DO NOT SCALE DRAWINGS.

PROJECT NAME
HUSSAINI ASSOCIATION OF SASKATOON MOSQUE
by
Global Village Construction

702 WINDSOR STREET
SASKATOON, SASK.

DRAWING NAME
BUILDING SECTION

DRAWN : TDK
CHECKED: A.Arif
DATE : NOV. 2016
SCALE : 3/16" = 1'-0"
DRAWING NO.

A-8

WALL, ROOF & FLOOR CONSTRUCTION TYPES:

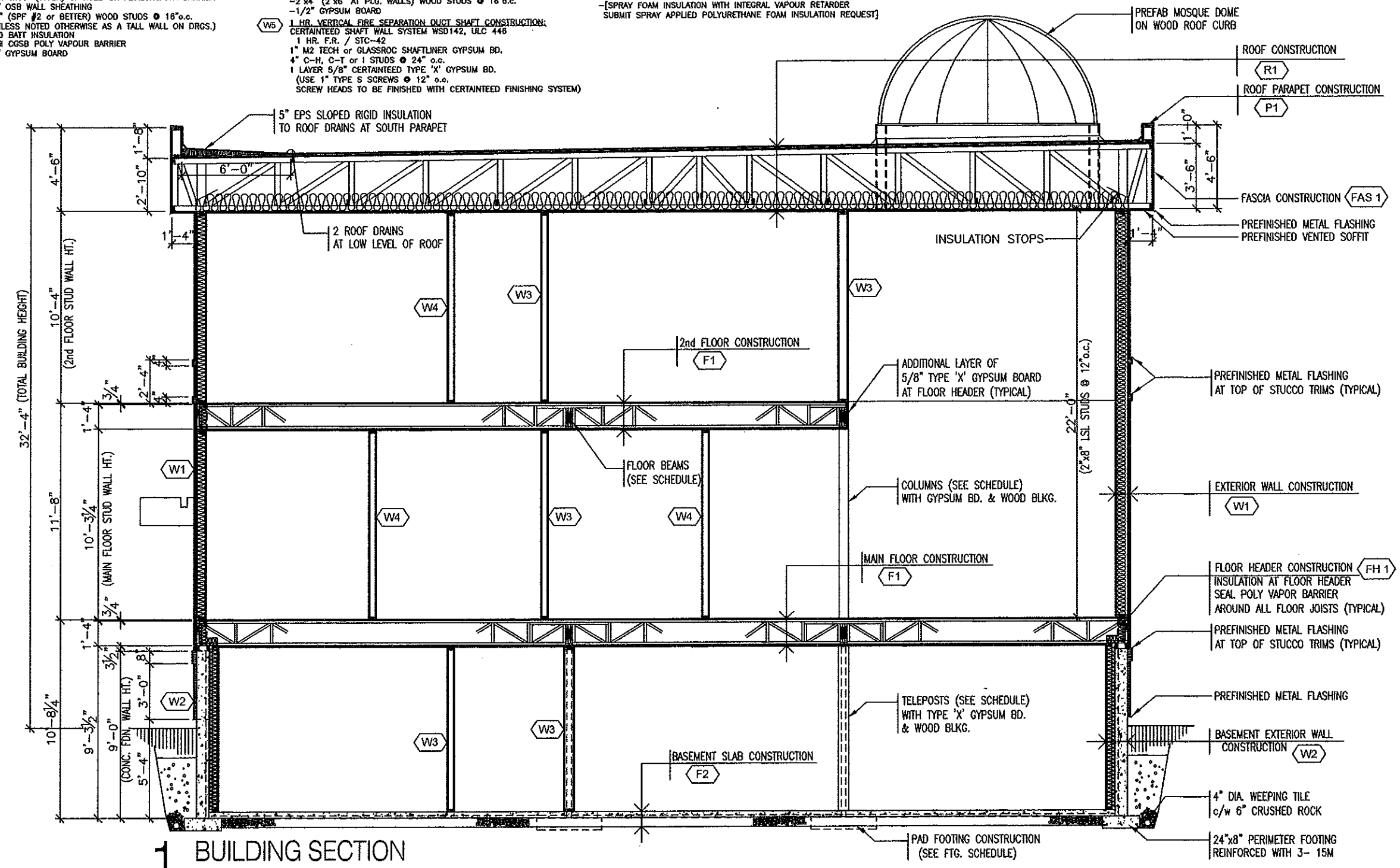
- INCLUDE 2"x4" / 2"x6" HORIZONTAL FIRESTOP BLOCKING IN ALL WALL CAVITIES THAT EXCEED 10'-0" IN HEIGHT (UNLESS CAVITY IS FILLED WITH INSULATION)
- W1 1 HR. RATED EXTERIOR WALL CONSTRUCTION:**
[NBC 2010 WALL TYPE EW1a]
-ACRYLIC STUCCO ON MESH WITH 1" (or 2" TRIMS) EPS TYPE 1 RIGID INSULATION (WITH DRAINAGE CONTOURS)
-BLDG. WRAP (TYVEK) or ROLL-ON ADHESIVE AIR BARRIER
-3/8" OSB WALL SHEATHING
-2"x8" (SPF #2 or BETTER) WOOD STUDS @ 16" o.c.
-R-20 BATT INSULATION
-6 mil CGSB POLY VAPOUR BARRIER
-5/8" TYPE 'X' RATED GYPSUM BOARD (RATED GYPSUM BD. REQ'D. ON LOADBEARING EXTERIOR WALLS SUPPORTING RATED FLOORS & ROOF)
- W1b NON-RATED EXTERIOR WALL CONSTRUCTION:**
[LOCATED EAST & WEST NON-LOADBEARING END WALLS]
-ACRYLIC STUCCO ON MESH WITH 1" (or 2" TRIMS) EPS TYPE 1 RIGID INSULATION (WITH DRAINAGE CONTOURS)
-BLDG. WRAP (TYVEK) or ROLL-ON ADHESIVE AIR BARRIER
-3/8" OSB WALL SHEATHING
-2"x8" (SPF #2 or BETTER) WOOD STUDS @ 16" o.c.
-R-20 BATT INSULATION
-6 mil CGSB POLY VAPOUR BARRIER
-1/2" GYPSUM BOARD

- W2 BASEMENT EXTERIOR WALL CONSTRUCTION:**
-ACRYLIC STUCCO ON MESH (ABOVE GRADE) WITH 1" (or 2" TRIMS) EPS TYPE 1 RIGID INSULATION (WITH DRAINAGE CONTOURS) -ABOVE GRADE
-DAMP-PROOFING BELOW GRADE (BOTH SIDES)
-8" REINFORCED CONCRETE FOUNDATION WALL (15M @ 24" o.c. HORIZ. & VERTICALLY -2" FROM INT. FACE
-2" SPACE
-2"x4" WOOD STUDS @ 16" o.c.
-R-20 BATT INSULATION
-6 mil CGSB POLY VAPOUR BARRIER
-1/2" GYPSUM BOARD
- W3 FIRE RATED (STAIR MECH. RM. & LOADBEARING) WALL CONSTR:**
NBC 2010 SYSTEM W1d: 45 MIN. (up to 1 HR.) FRR, 32 STC
-5/8" TYPE 'X' GYPSUM BOARD
-2"x4" (2"x6" AT PLG. WALLS) WOOD STUDS @ 16" o.c.
-5/8" TYPE 'X' GYPSUM BOARD
- W3b FIRE RATED H.C. LIFT WALL CONSTRUCTION:**
NBC 2010 SYSTEM W1d: 45 MIN. (up to 1 HR.) FRR, 32 STC
-SIMILAR TO WALL TYPE W3
-INSTALL 3/8" PLYWOOD BLOCKING AS REQ'D. BY H.C. LIFT SUPPLIER
- W4 NON-RATED INTERIOR WALL CONSTRUCTION:**
-1/2" GYPSUM BOARD
-2"x4" (2"x6" AT PLG. WALLS) WOOD STUDS @ 16" o.c.
-1/2" GYPSUM BOARD
- W5 1 HR. VERTICAL FIRE SEPARATION DUCT SHAFT CONSTRUCTION:**
CERTAINTED SHAFT WALL SYSTEM WSD142, ULC 446
1 HR. F.R. / STC-42
1" M2 TECH or GLASSROC SHAFTLINER GYPSUM BD.
4" C-H, C-T or 1 STUDS @ 24" o.c.
1 LAYER 5/8" CERTAINTED TYPE 'X' GYPSUM BD.
(USE 1" TYPE S SCREWS @ 12" o.c.
SCREW HEADS TO BE FINISHED WITH CERTAINTED FINISHING SYSTEM)

- F1 MAIN & 2nd FLOOR CONSTRUCTION:**
NBC 2010 APPENDIX D - TABLE D.2.3.12: 45 MIN. (UP TO 1.0 HR.) FRR
-3/4" T&G OSB FLOOR SHEATHING
-16" ENG. FLOOR JOISTS @ 16" o.c. (CONFIRM SIZE & SPACING WITH SUPPLIER)
-2 LAYERS 5/8" TYPE 'X' GYPSUM BOARD
- F2 BASEMENT CONCRETE SLAB CONSTRUCTION:**
-4" REINFORCED CONCRETE SLAB (10M @ 16" o.c. BOTH WAYS)
-6 mil CGSB POLY VAPOUR BARRIER
-6" COMPACTED GRANULAR BASE
- FH1 TYPICAL FLOOR HEADER AT BUILDING FACE CONSTRUCTION:**
-ACRYLIC STUCCO ON MESH WITH 1" TYPE 1 EPS RIGID INSULATION (WITH DRAINAGE CONTOURS)
-BLDG. WRAP (TYVEK) or ROLL-ON ADHESIVE AIR BARRIER
-3/8" OSB WALL SHEATHING
-R-20 FRICTION FIT BATT INSULATION
-6 mil CGSB POLY VAPOUR BARRIER
SEALED TO u/s FLOOR SHEATHING AND AROUND ALL FLOOR JOISTS & FRAMING OR ACCEPTABLE ALTERNATE
-[SPRAY FOAM INSULATION WITH INTEGRAL VAPOUR RETARDER
SUBMIT SPRAY APPLIED POLYURETHANE FOAM INSULATION REQUEST]

- R1 ROOF CONSTRUCTION:**
NBC 2010 APPENDIX D - TABLE D.2.3.12: 45 MIN. (UP TO 1.0 HR.) FRR
-TORCH-ON SBS BITUMINOUS CAP SHEET (1.1mm THICK)
OVER TORCH-ON SBS BITUMINOUS BASE SHEET
INSTALL IN ACCORDANCE WITH CANADIAN ROOFING CONTRACTOR'S ASSOCIATION STANDARDS & EXTEND UP THE SIDE ROOF CURBS
-FR BASE
-EPS SLOPED RIGID INSULATION TO ROOF DRAINS
-PEEL & STICK BITUMINOUS VAPOUR RETARDER (ie- ICE & WATER SHIELD)
-1/2" OSB or PLYWOOD ROOF SHEATHING
-ENGINEERED WOOD ROOF TRUSSES @ 24" o.c. (SUBMIT SHOP DRGS. SIGNED & SEALED BY AN ENGINEER LICENSED TO PRACTICE IN SASK.)
-INSTALL SIMPSON "HURRICANE TIE" STRAPS TO EXT. WALLS
-R-40 INSULATION
-6 mil CGSB POLY VAPOUR BARRIER
-2 LAYERS 5/8" TYPE 'X' GYPSUM BOARD

- P1 ROOF PARAPET CONSTRUCTION:**
-ACRYLIC STUCCO ON MESH WITH 1" TYPE 1 EPS RIGID INSULATION (WITH DRAINAGE CONTOURS)
-BLDG. WRAP (TYVEK) or ROLL-ON ADHESIVE AIR BARRIER
-3/8" OSB WALL SHEATHING
-2"x8" WOOD STUDS @ 16" o.c.
-1/2" PRES. TREATED PLYWOOD (SLOPED PLYWOOD ON TOP OF PARAPET)
-SBS ROOF FLASHING ON PARAPET CAP & SIDE
-PREFINISHED METAL FLASHING ON PARAPET CAP
- FAS 1 TYPICAL FASCIA CONSTRUCTION:**
-ACRYLIC STUCCO ON MESH WITH 1" TYPE 1 EPS RIGID INSULATION (WITH DRAINAGE CONTOURS)
-BLDG. WRAP (TYVEK) or ROLL-ON ADHESIVE AIR BARRIER
-3/8" OSB WALL SHEATHING



1 BUILDING SECTION
3/16" = 1'-0"

STANDARD ENGINEERING LTD.

ARIF ALI, P.Eng.

127 RAO CRESCENT
SASKATOON, SK. S7K6V7
(306) 370-5986

0 ISSUED FOR REVIEW NOV. 9/16

NO. DESCRIPTION DATE

REVISIONS

CONSULTANT

T.D. KINASH
CONSULTING LTD.

(306) 664-4562
1616 - 9th AVENUE, SASKATOON

ALL MEASUREMENTS MUST BE CHECKED ON THE WORK BY THE CONTRACTOR. DO NOT SCALE DRAWINGS.

PROJECT NAME

HUSSAINI ASSOCIATION
of SASKATOON
MOSQUE

by
Global Village Construction

702 WINDSOR STREET
SASKATOON, SASK.

DRAWING NAME

BUILDING SECTION

DRAWN : TDK

CHECKED: A.Arif

DATE : NOV. 2016

SCALE : 3/16" = 1'-0"

DRAWING NO.

A-9

WALL, ROOF & FLOOR CONSTRUCTION TYPES:

INCLUDE 2"x4" / 2"x6" HORIZONTAL FIRESTOP BLOCKING IN ALL WALL CAVITIES THAT EXCEED 10'-0" IN HEIGHT (UNLESS CAVITY IS FILLED WITH INSULATION)

- (W1) 1 HR. RATED EXTERIOR WALL CONSTRUCTION:**
[NBC 2010 WALL TYPE EW1(a)]
-ACRYLIC STUCCO ON MESH WITH 1" (or 2" TRIMS) EPS TYPE 1 RIGID INSULATION (WITH DRAINAGE CONTOURS)
-BLDG. WRAP (TYVEK) or ROLL-ON ADHESIVE AIR BARRIER
-3/8" OSB WALL SHEATHING
-2"x8" (SPF #2 or BETTER) WOOD STUDS @ 16" o.c.
-6 mil CGSB POLY VAPOUR BARRIER
-R-20 BATT INSULATION
-5/8" TYPE 'X' RATED GYPSUM BOARD (RATED GYPSUM BD. REQ'D. ON LOADBEARING EXTERIOR WALLS SUPPORTING RATED FLOORS & ROOF)
- (W1d) NON-RATED EXTERIOR WALL CONSTRUCTION:**
[LOCATED EAST & WEST NON-LOADBEARING END WALLS]
-ACRYLIC STUCCO ON MESH WITH 1" (or 2" TRIMS) EPS TYPE 1 RIGID INSULATION (WITH DRAINAGE CONTOURS)
-BLDG. WRAP (TYVEK) or ROLL-ON ADHESIVE AIR BARRIER
-3/8" OSB WALL SHEATHING
-2"x8" (SPF #2 or BETTER) WOOD STUDS @ 16" o.c. (UNLESS NOTED OTHERWISE AS A TALL WALL ON DRGS.)
-R-20 BATT INSULATION
-6 mil CGSB POLY VAPOUR BARRIER
-1/2" GYPSUM BOARD

- (W2) BASEMENT EXTERIOR WALL CONSTRUCTION:**
-ACRYLIC STUCCO ON MESH (ABOVE GRADE) WITH 1" (or 2" TRIMS) EPS TYPE 1 RIGID INSULATION (WITH DRAINAGE CONTOURS) -ABOVE GRADE
-DAMP-PROOFING BELOW GRADE (BOTH SIDES)
-8" REINFORCED CONCRETE FOUNDATION WALL (15M @ 24" o.c. HORIZ. & VERTICALLY -2" FROM INT. FACE)
-2" SPACE
-2"x4" WOOD STUDS @ 16" o.c.
-R-20 BATT INSULATION
-6 mil CGSB POLY VAPOUR BARRIER
-1/2" GYPSUM BOARD

- (W3) FIRE RATED (STAIR, MECH. RM. & LOADBEARING) WALL CONSTR:**
NBC 2010 SYSTEM W1d: 45 MIN. (up to 1 HR.) FRR, 32 STC
-5/8" TYPE 'X' GYPSUM BOARD
-2"x4" (2"x8" AT PLG. WALLS) WOOD STUDS @ 16" o.c.
-5/8" TYPE 'X' GYPSUM BOARD

- (W3d) FIRE RATED H.C. LIFT WALL CONSTRUCTION:**
NBC 2010 SYSTEM W1d: 45 MIN. (up to 1 HR.) FRR, 32 STC
-SIMILAR TO WALL TYPE 'W3'
-INSTALL 3/8" PLYWOOD BLOCKING AS REQ'D. BY H.C. LIFT SUPPLIER

- (W4) NON-RATED INTERIOR WALL CONSTRUCTION:**
-1/2" GYPSUM BOARD
-2"x4" (2"x8" AT PLG. WALLS) WOOD STUDS @ 16" o.c.
-1/2" GYPSUM BOARD

- (W5) 1 HR. VERTICAL FIRE SEPARATION DUCT SHAFT CONSTRUCTION:**
CERTAINTED SHAFT WALL SYSTEM WSD142, ULC 446
1 HR. F.R. / STC-42
1" M2 TECH or GLASSROC SHAFTLINER GYPSUM BD.
4" C-4, C-7 or 1 STUDS @ 24" o.c.
1 LAYER 5/8" CERTAINTED TYPE 'X' GYPSUM BD. (USE 1" TYPE S SCREWS @ 12" o.c. SCREW HEADS TO BE FINISHED WITH CERTAINTED FINISHING SYSTEM)

- (F1) MAIN & 2nd FLOOR CONSTRUCTION:**
NBC 2010 APPENDIX D -TABLE D.2.3.12: 45 MIN. (UP TO 1.0 HR.) FRR
-3/4" T&G OSB FLOOR SHEATHING
-16" ENG. FLOOR JOISTS @ 16" o.c. (CONFIRM SIZE & SPACING WITH SUPPLIER)
-2 LAYERS 5/8" TYPE 'X' GYPSUM BOARD

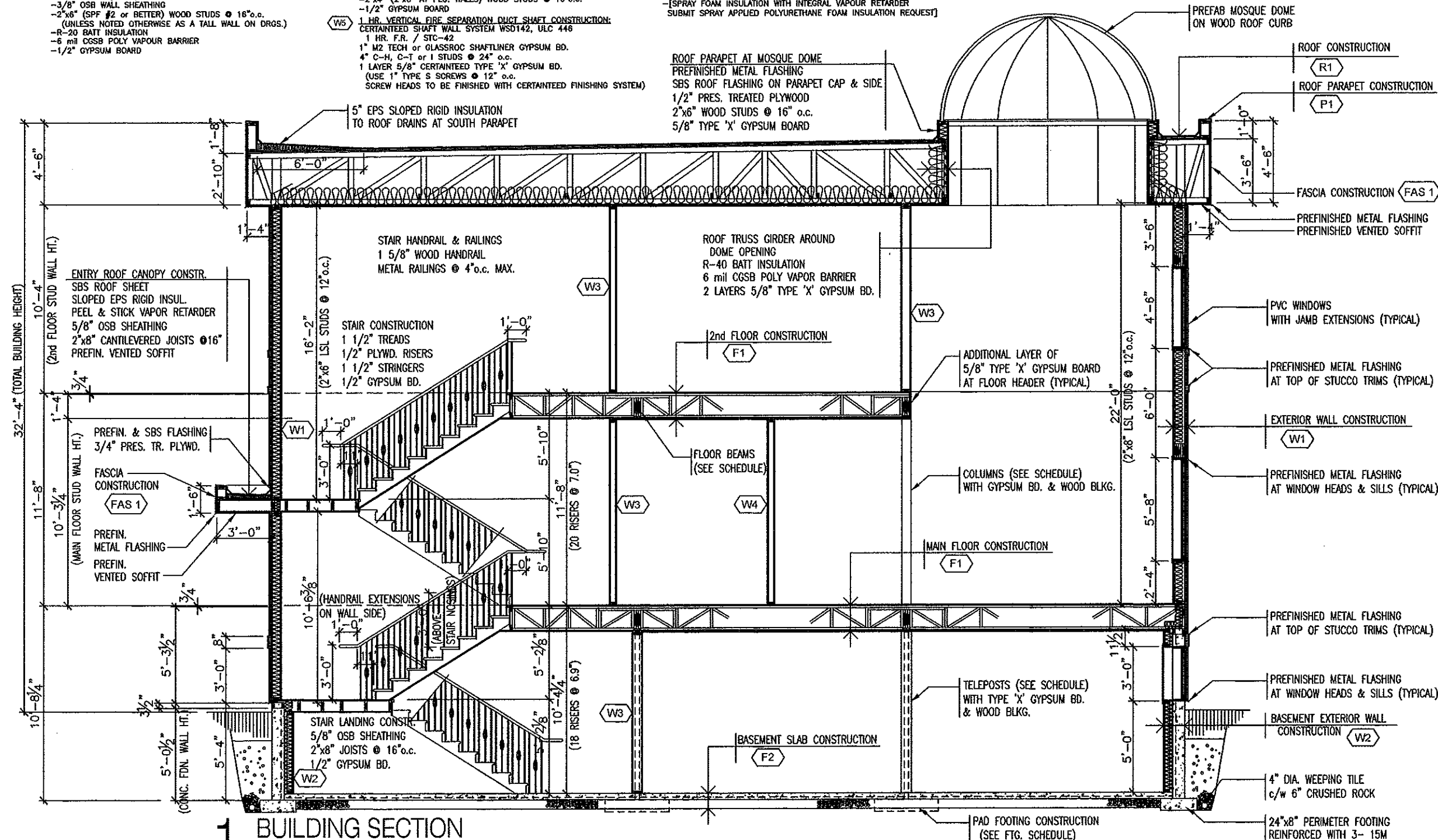
- (F2) BASEMENT CONCRETE SLAB CONSTRUCTION:**
-4" REINFORCED CONCRETE SLAB (10M @ 16" o.c. BOTH WAYS)
-6 mil CGSB POLY VAPOUR BARRIER
-6" COMPACTED GRANULAR BASE

- (FH1) TYPICAL FLOOR HEADER AT BUILDING FACE CONSTRUCTION:**
-ACRYLIC STUCCO ON MESH WITH 1" TYPE 1 EPS RIGID INSULATION (WITH DRAINAGE CONTOURS)
-BLDG. WRAP (TYVEK) or ROLL-ON ADHESIVE AIR BARRIER
-3/8" OSB WALL SHEATHING
-R-20 FRICTION FIT BATT INSULATION
-6 mil CGSB POLY VAPOUR BARRIER SEALED TO u/s FLOOR SHEATHING AND AROUND ALL FLOOR JOISTS & FRAMING OR ACCEPTABLE ALTERNATE
-[SPRAY FOAM INSULATION WITH INTEGRAL VAPOUR RETARDER SUBMIT SPRAY APPLIED POLYURETHANE FOAM INSULATION REQUEST]

- (R1) ROOF CONSTRUCTION:**
NBC 2010 APPENDIX D -TABLE D.2.3.12: 45 MIN. (UP TO 1.0 HR.) FRR
-TORCH-ON SBS BITUMINOUS CAP SHEET (1.1mm THICK)
-OVER TORCH-ON SBS BITUMINOUS BASE SHEET
-INSTALL IN ACCORDANCE WITH CANADIAN ROOFING CONTRACTOR'S ASSOCIATION STANDARDS & EXTEND UP THE SIDE ROOF CURBS
-FR BASE
-EPS SLOPED RIGID INSULATION TO ROOF DRAINS
-PEEL & STICK BITUMINOUS VAPOUR RETARDER (ie- ICE & WATER SHIELD)
-1/2" OSB or PLYWOOD ROOF SHEATHING
-ENGINEERED WOOD ROOF TRUSSES @ 24" o.c. (SUBMIT SHOP DRGS. SIGNED & SEALED BY AN ENGINEER LICENSED TO PRACTICE IN SASK.)
-INSTALL SIMPSON "HURRICANE TIE" STRAPS TO EXT. WALLS
-R-40 INSULATION
-6 mil CGSB POLY VAPOUR BARRIER
-2 LAYERS 5/8" TYPE 'X' GYPSUM BOARD

- (P1) ROOF PARAPET CONSTRUCTION:**
-ACRYLIC STUCCO ON MESH WITH 1" TYPE 1 EPS RIGID INSULATION (WITH DRAINAGE CONTOURS)
-BLDG. WRAP (TYVEK) or ROLL-ON ADHESIVE AIR BARRIER
-3/8" OSB WALL SHEATHING
-2"x8" WOOD STUDS @ 16" o.c.
-1/2" PRES. TREATED PLYWOOD (SLOPED PLYWOOD ON TOP OF PARAPET)
-SBS ROOF FLASHING ON PARAPET CAP & SIDE
-PREFINISHED METAL FLASHING ON PARAPET CAP

- (FAS 1) TYPICAL FASCIA CONSTRUCTION:**
-ACRYLIC STUCCO ON MESH WITH 1" TYPE 1 EPS RIGID INSULATION (WITH DRAINAGE CONTOURS)
-BLDG. WRAP (TYVEK) or ROLL-ON ADHESIVE AIR BARRIER
-3/8" OSB WALL SHEATHING



BUILDING SECTION
3/16" = 1'-0"

STANDARD ENGINEERING LTD.

ARIF ALI, P..Eng.

127 RAO CRESCENT
SASKATOON, SK. S7K6V7
(306) 370-5986

| | | |
|---|-------------------|-----------|
| 0 | ISSUED FOR REVIEW | NOV. 9/16 |
|---|-------------------|-----------|

■ NO. ■ DESCRIPTION ■ DATE
■ REVISIONS

■ CONSULTANT
T.D. KINASH
CONSULTING LTD.

(306) 664-4562
1616 - 9th AVENUE, SASKATOON

ALL MEASUREMENTS MUST BE CHECKED
ON THE WORK BY THE CONTRACTOR.
DO NOT SCALE DRAWINGS.

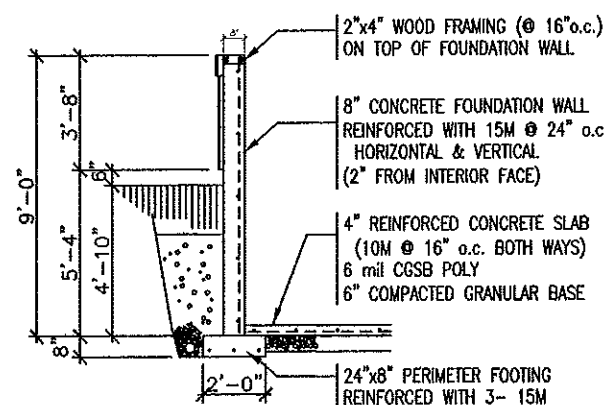
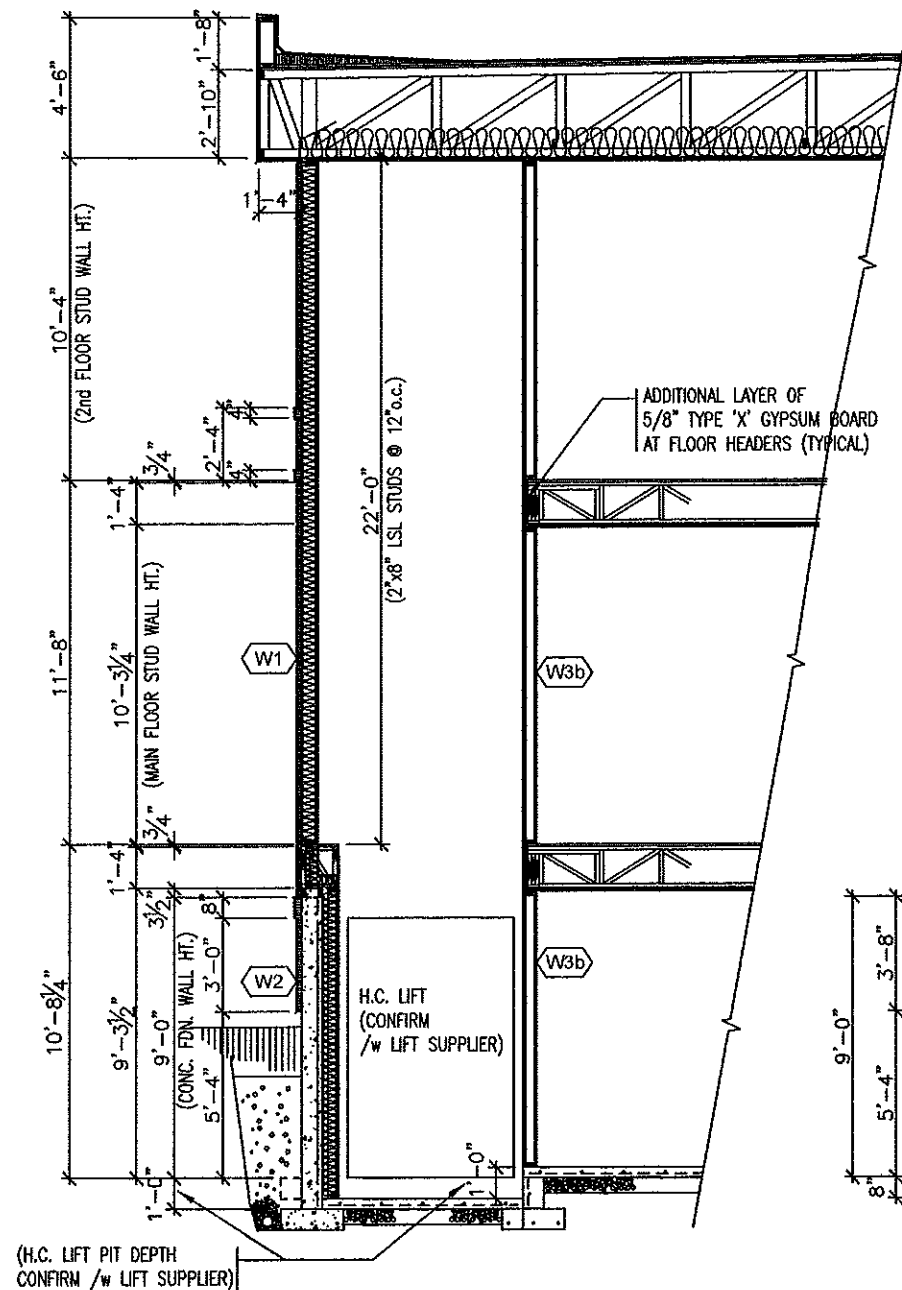
■ PROJECT NAME
HUSSAINI ASSOCIATION
of SASKATOON
MOSQUE
by
Global Village Construction

702 WINDSOR STREET
SASKATOON, SASK.

■ DRAWING NAME
SECTIONS

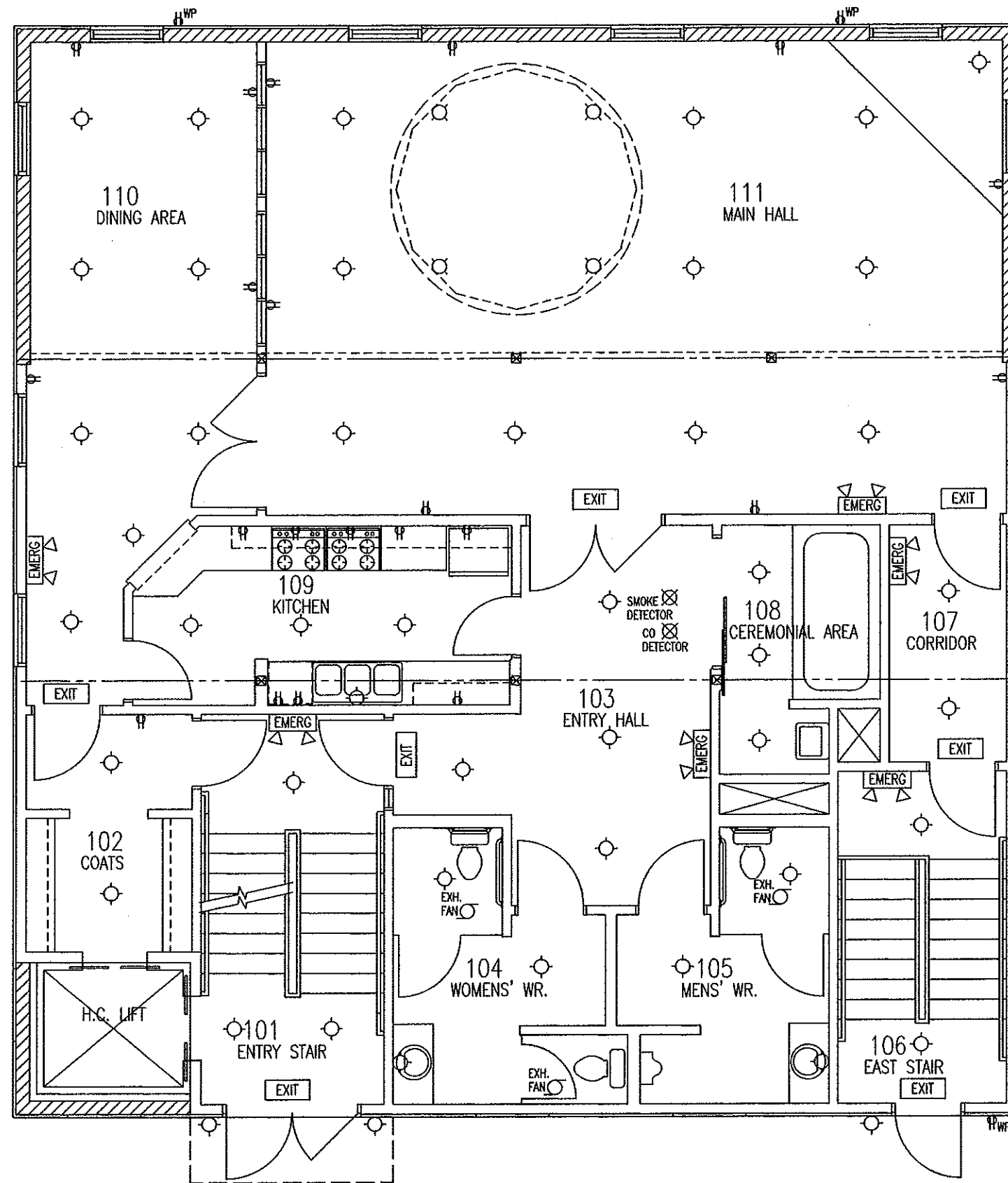
■ DRAWN : TDK
■ CHECKED: A.Arif
■ DATE : NOV. 2016
■ SCALE : 3/16' = 1'-0'
■ DRAWING NO.

A-10



CONSTRUCTION NOTES -

1. ALL CONSTRUCTION SHALL COMPLY WITH CURRENT NATIONAL BLDG. CODE, CITY OF SASKATOON REQUIREMENTS, & ALL OTHER APPLICABLE CODES & STANDARDS.
2. PROVIDE PROTECTION TO ADJACENT BUILDINGS & PROPERTIES DURING CONSTRUCTION.
3. CONCRETE FOOTINGS TO HAVE 20 mpa, TYPE 50 SULPHATE RESISTANT CEMENT.
4. ALL STAIRS TO HAVE 1" NOSINGS.
5. ALL LINTELS, BEAMS & JOISTS ARE TO BE No.2 SPRUCE OR BETTER.
6. ALL LINTELS ARE TO BE 2 PLY 2"x10" UNLESS NOTED OTHERWISE.
7. THE SIZES & SPACING OF ALL ENGINEERED FLOOR JOISTS ARE TO BE CONFIRMED BY THE SUPPLIER.
8. ALL STUD COLUMNS ARE TO BE 3 PLY 2"x6" MIN. OR MATCH NUMBER OF PLYS AS THE BEAM SUPPORTED.
9. FLOOR FRAMING AROUND STAIR WAY OPENINGS ARE TO BE DOUBLE JOISTS OR BEAMS, UNLESS NOTED OTHERWISE.
10. SITE ELEVATIONS & SLOPES SHOWN ARE APPROXIMATE ON BUILDING ELEVATIONS. CONFIRM THE BASEMENT SLAB & MAIN FLOOR ELEVATIONS AND ADJACENT PERIMETER GRADES TO SUIT THE EXISTING ADJACENT GRADE CONDITIONS.



- CONSTRUCTION NOTES :**
1. CONFIRM LOCATIONS OF ALL ELECTRICAL LIGHTS, SWITCHES & OUTLETS WITH THE OWNER.
 2. NUMBER, LOCATIONS & SIZES OF SUPPLY & RETURN AIR GRILLES / DUCTS ARE TO BE CONFIRMED WITH HEATING CONTRACTOR.
 3. INSTALL FIRE DAMPERS IN ALL DUCTS, AT ALL WALL & FLOOR FIRE SEPARATIONS.

STANDARD ENGINEERING LTD.

ARIF ALI, P..Eng.

127 RAO CRESCENT
SASKATOON, SK. S7K6V7
(306) 370-5986

| | | |
|---|-------------------|-----------|
| 0 | ISSUED FOR REVIEW | NOV. 9/16 |
|---|-------------------|-----------|

■ NO. ■ DESCRIPTION ■ DATE
■ REVISIONS

■ CONSULTANT
T.D. KINASH
CONSULTING LTD.

(306) 664-4562
1616 - 9th AVENUE, SASKATOON

ALL MEASUREMENTS MUST BE CHECKED ON THE WORK BY THE CONTRACTOR. DO NOT SCALE DRAWINGS.

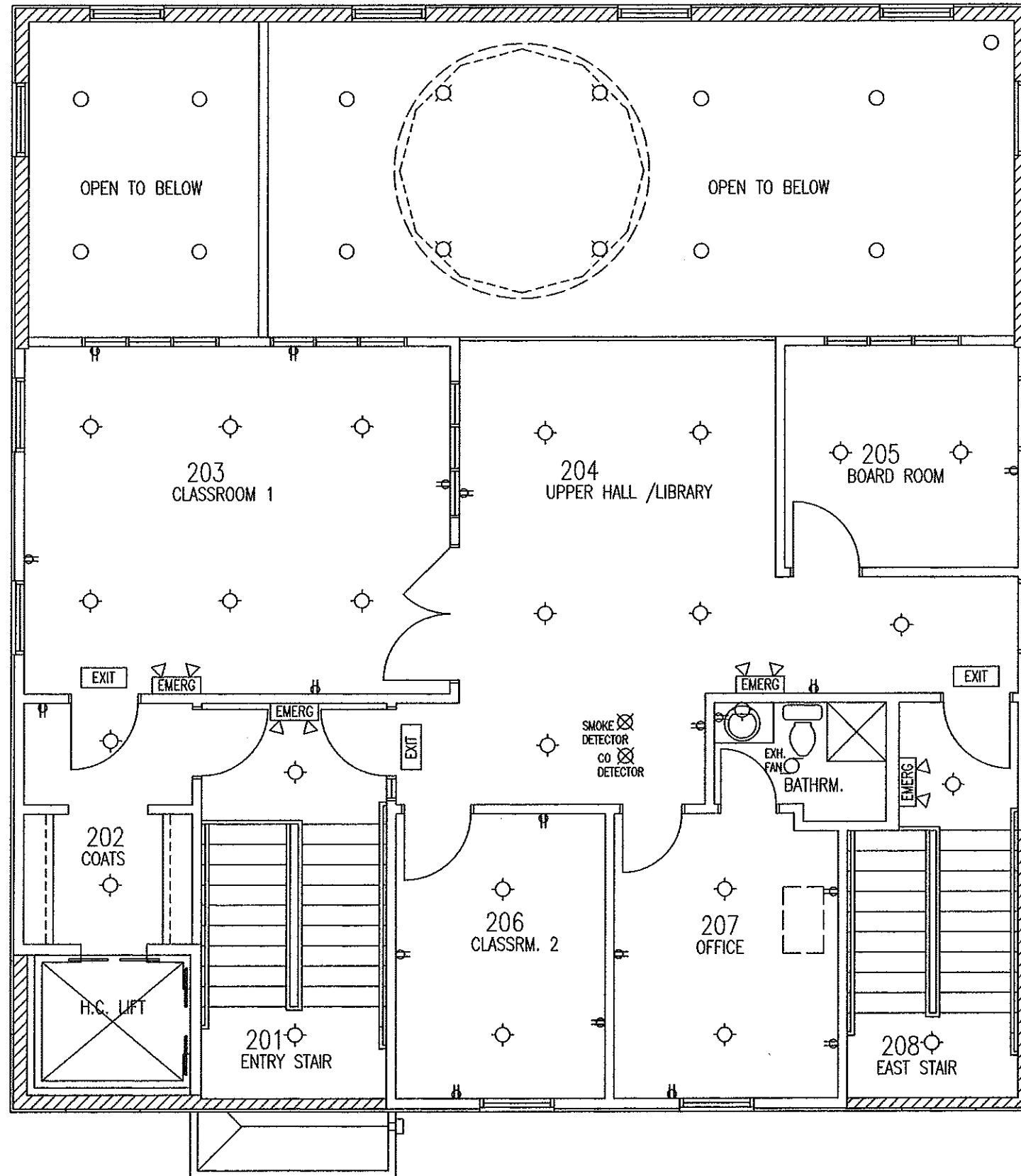
■ PROJECT NAME
HUSSAINI ASSOCIATION
of SASKATOON
MOSQUE
by
Global Village Construction

702 WINDSOR STREET
SASKATOON, SASK.

■ DRAWING NAME
MAIN FLOOR PLAN
-ELECTRICAL

■ DRAWN : TDK
■ CHECKED: A.Arif
■ DATE : NOV. 2016
■ SCALE : 3/16" = 1'-0"
■ DRAWING NO.

A-11



CONSTRUCTION NOTES :

1. CONFIRM LOCATIONS OF ALL ELECTRICAL LIGHTS, SWITCHES & OUTLETS WITH THE OWNER.
2. NUMBER, LOCATIONS & SIZES OF SUPPLY & RETURN AIR GRILLES / DUCTS ARE TO BE CONFIRMED WITH HEATING CONTRACTOR.
3. INSTALL FIRE DAMPERS IN ALL DUCTS, AT ALL WALL & FLOOR FIRE SEPARATIONS.

STANDARD ENGINEERING LTD.

ARIF ALI, P..Eng.

127 RAO CRESCENT
SASKATOON, SK. S7K6V7
(306) 370-5986

| NO. | DESCRIPTION | DATE |
|-----|-------------------|-----------|
| 0 | ISSUED FOR REVIEW | NOV. 9/16 |

■ NO. ■ DESCRIPTION ■ DATE
■ REVISIONS

■ CONSULTANT
T.D. KINASH
CONSULTING LTD.

(306) 664-4562
1616 - 9th AVENUE, SASKATOON

ALL MEASUREMENTS MUST BE CHECKED ON THE WORK BY THE CONTRACTOR. DO NOT SCALE DRAWINGS.

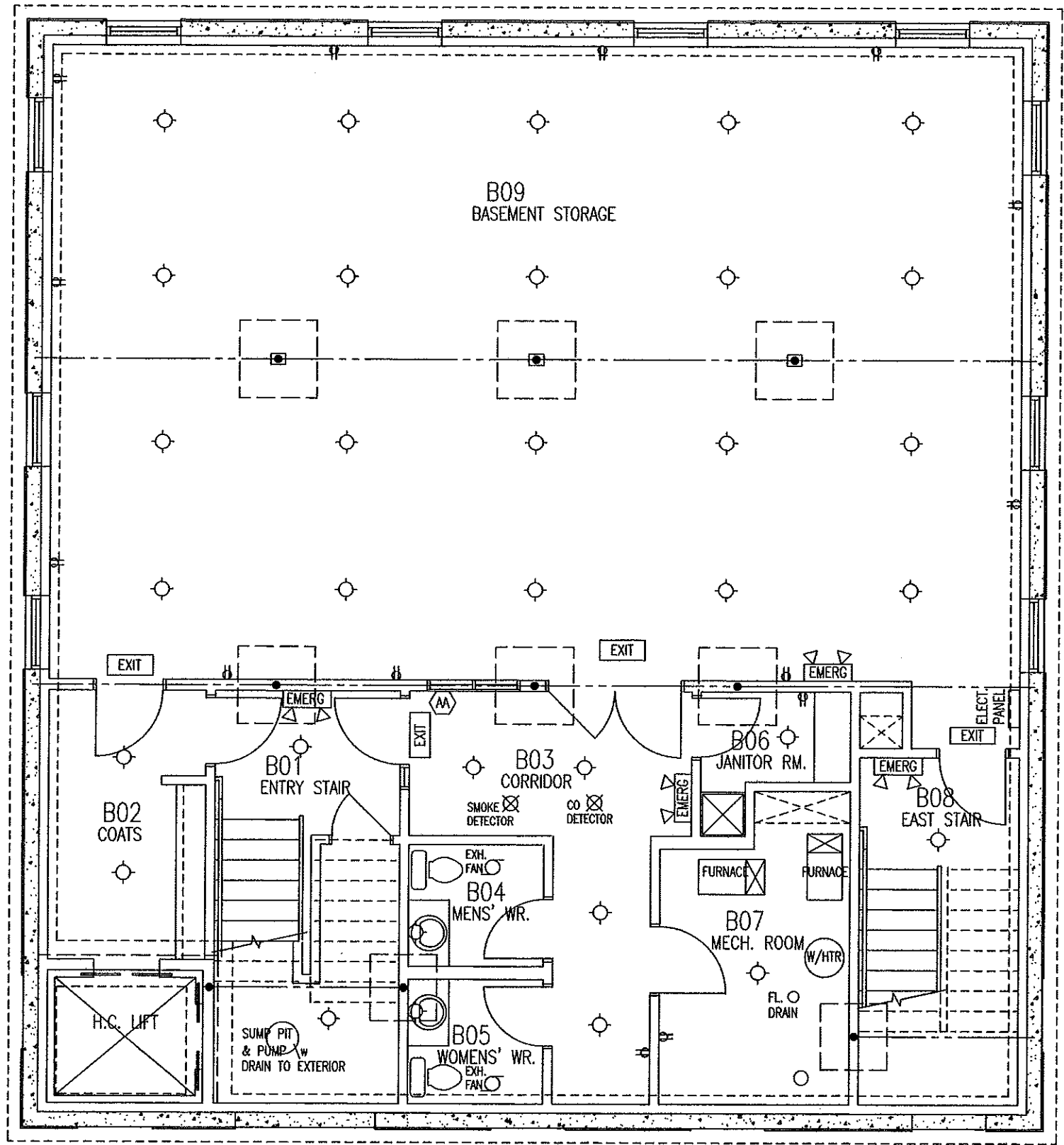
■ PROJECT NAME
HUSSAINI ASSOCIATION
of SASKATOON
MOSQUE
by
Global Village Construction

702 WINDSOR STREET
SASKATOON, SASK.

■ DRAWING NAME
SECOND FLOOR PLAN
-ELECTRICAL

■ DRAWN : TDK
■ CHECKED: A.Arif
■ DATE : NOV. 2016
■ SCALE : 3/16" = 1'-0"
■ DRAWING NO.

A-12



CONSTRUCTION NOTES :

1. CONFIRM LOCATIONS OF ALL ELECTRICAL LIGHTS, SWITCHES & OUTLETS WITH THE OWNER.
2. NUMBER, LOCATIONS & SIZES OF SUPPLY & RETURN AIR GRILLES / DUCTS ARE TO BE CONFIRMED WITH HEATING CONTRACTOR.
3. INSTALL FIRE DAMPERS IN ALL DUCTS, AT ALL WALL & FLOOR FIRE SEPARATIONS.

STANDARD ENGINEERING LTD.

ARIF ALI, P..Eng.

127 RAO CRESCENT
SASKATOON, SK. S7K6V7
(306) 370-5986

| | | |
|---|-------------------|-----------|
| 0 | ISSUED FOR REVIEW | NOV. 9/16 |
|---|-------------------|-----------|

■ NO. ■ DESCRIPTION ■ DATE
■ REVISIONS

■ CONSULTANT
T.D. KINASH
CONSULTING LTD.

(306) 664-4562
1616 - 9th AVENUE, SASKATOON

ALL MEASUREMENTS MUST BE CHECKED ON THE WORK BY THE CONTRACTOR. DO NOT SCALE DRAWINGS.

■ PROJECT NAME
HUSSAINI ASSOCIATION
of SASKATOON
MOSQUE
by
Global Village Construction

702 WINDSOR STREET
SASKATOON, SASK.

■ DRAWING NAME
BASEMENT PLAN
-ELECTRICAL

■ DRAWN : TDK
■ CHECKED: A.Arif
■ DATE : NOV. 2016
■ SCALE : 3/16" = 1'-0"

■ DRAWING NO. **A-13**